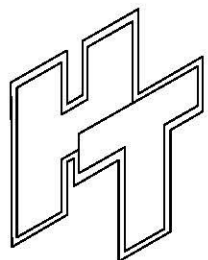
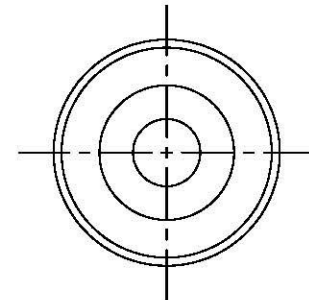
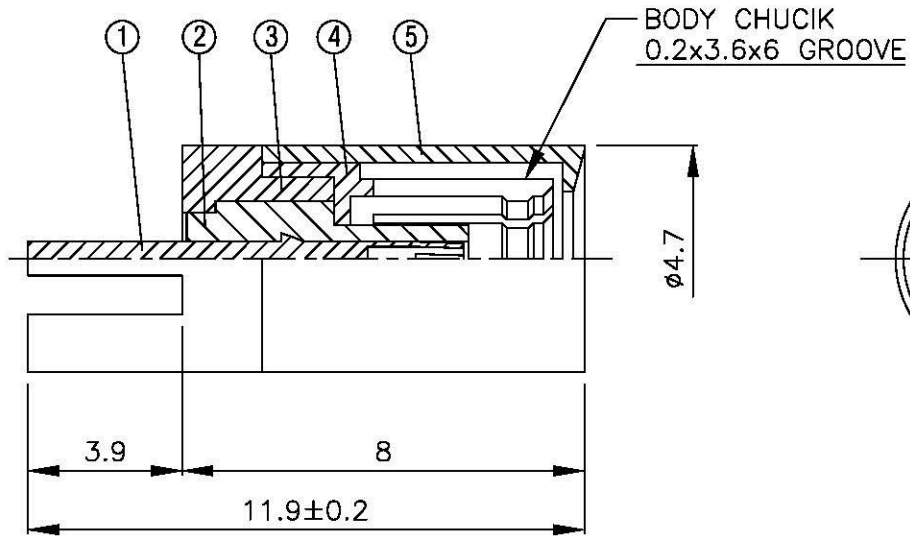
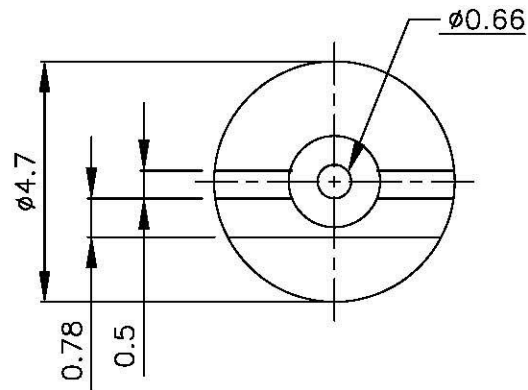
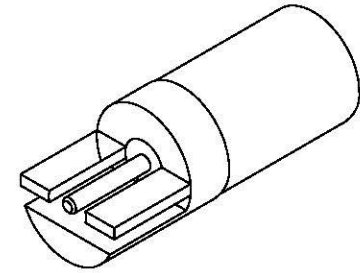


NO	DESCRIPTION	MATERIAL	Q'TY	FINISH	REMARK
1	PIN	BE CU	1	GOLD	P-SSMB0290-G
2	INSULATION	TEFLON	1	TEFLON	I-0052T
3	BODY 1	BRASS	1	GOLD	B-SSMB0440-G
4	BODY 2	BE CU	1	GOLD	B-SSMB0240-G
5	BODY 3	BRASS	1	GOLD	B-SSMB0242-G



**All Connectors**

www.allconnectors.de  
Tel.: 0049 711 900600  
20794 Filderstadt Germany

Info@allconnectors.de  
Fax: 0049 711 900604  
Germany 25

TITLE **SSMB JACK STRAIGHT END LAUNCH RECEPTACLES**

PART NO. **SSMB-06V6-TGG**

DRAWING NO. **SSMB 06V6 TGG**

DRAWN **MARY** DATE **96.07.05**

CHECKED **蘇志欣** DATE

Q.A. **蘇姿潔** DATE

APPROVAL **徐燦霖** DATE

REVISION DATE

DIMENSIONS ARE IN MILLIMETERS

UNLESS OTHERWISE SPECIFIED TOLERANCE  
0.5-5=±0.2 120-315=±1  
5-30=±0.4 315-1000=±1.6  
30-120±0.6 1000-2000=±2.4

SCALE **4:1** SIZE **A**

REVISION

DESCRIPTION ENGINEER