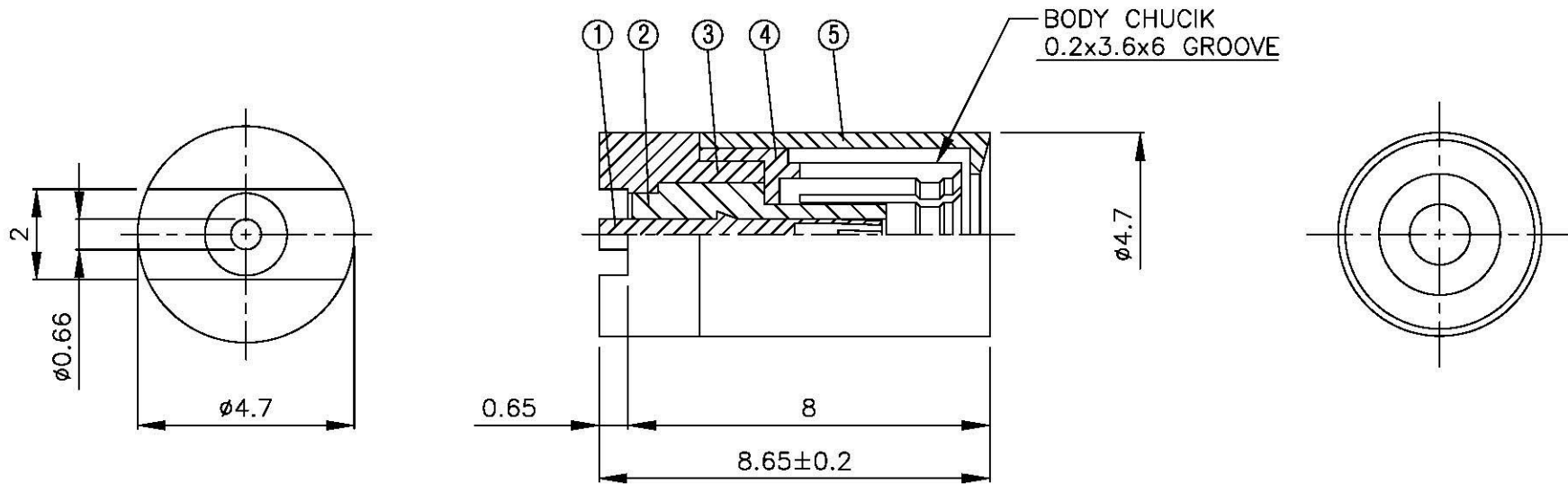
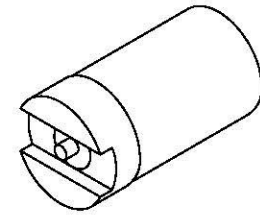
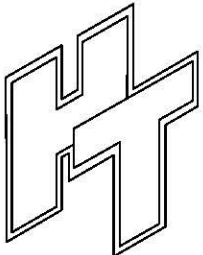



NO	DESCRIPTION	MATERIAL	Q'TY	FINISH	REMARK
1	PIN	BE CU	1	GOLD	P-SSMB0289-G
2	INSULATION	TEFLON	1	TEFLON	I-0052T
3	BODY 1	BRASS	1	GOLD	B-SSMB0437-G
4	BODY 2	BE CU	1	GOLD	B-SSMB0240-G
5	BODY 3	BRASS	1	GOLD	B-SSMB0242-G



		DRAWN MARY DATE 96.07.05	DIMENSIONS ARE IN MILLIMETERS		REVISION		
	<small>www.allconnectors.de Tel.: 0049 711 7009503 50744 Ellersbacht - Germany</small>	<small>info@allconnectors.de Fax: 0049 711 7009504 Kellernstr. 25</small>	CHECKED 蘇志欣 DATE	UNLESS OTHERWISE SPECIFIED TOLERANCE		DESCRIPTION	ENGINEER
	TITLE SSMB JACK TYPE P.C. BOARD RECEPTACLES		Q.A. 蘇姿潔 DATE	0.5-5=±0.2 120-315=±1			
	PART NO. SSMB-06V5-TGG		APPROVAL 徐燦霖 DATE	5-30=±0.4 315-1000=±1.6			
	DRAWING NO. SSMB 06V5 TGG		REVISION DATE	30-120±0.6 1000-2000=±2.4	SCALE 4:1	SIZE A	