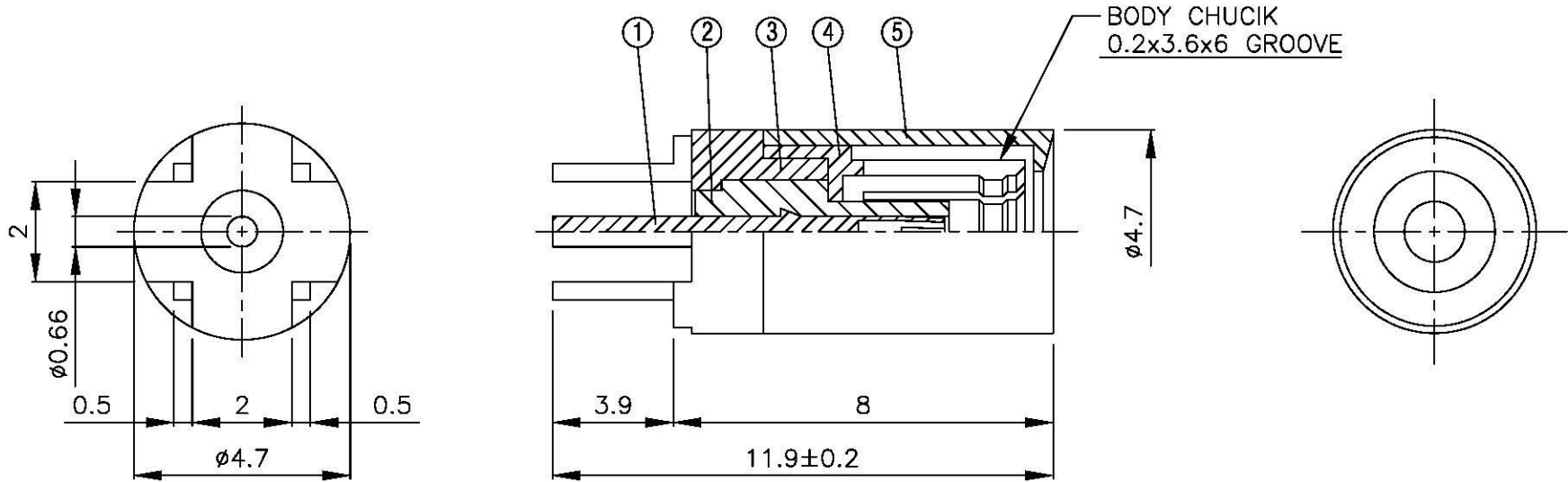
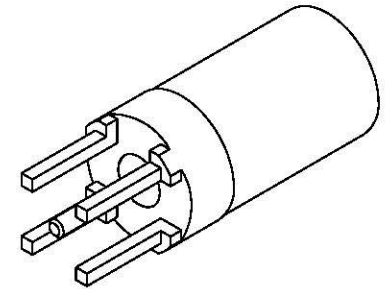
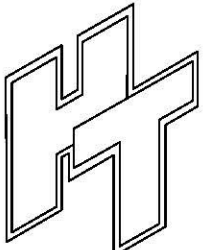



NO	DESCRIPTION	MATERIAL	Q'TY	FINISH	REMARK
1	PIN	BE CU	1	GOLD	P-SSMB0290-G
2	INSULATION	TEFLON	1	TEFLON	I-0052T
3	BODY 1	BRASS	1	GOLD	B-SSMB0439-G
4	BODY 2	BE CU	1	GOLD	B-SSMB0240-G
5	BODY 3	BRASS	1	GOLD	B-SSMB0242-G



		DRAWN	MARY	DATE	96.07.05	DIMENSIONS ARE IN MILLIMETERS			REVISION		
	<small>www.allconnectors.de Tel: 0049 711 7002503 50744 Hildesheim Germany</small>	<small>info@allconnectors.de Fax: 0049 711 7002501 Kottbomstr. 22</small>	CHECKED	蘇志欣	DATE		UNLESS OTHERWISE SPECIFIED TOLERANCE			DESCRIPTION	ENGINEER
	TITLE		SSMB JACK TYPE P.C. BOARD RECEPTACLES	Q.A.	蘇姿潔	DATE		0.5-5=±0.2	120-315=±1		
	PART NO.		SSMB-06V4-TGG	APPROVAL	徐燦霖	DATE		5-30=±0.4	315-1000=±1.6		
	DRAWING NO.		SSMB 06V4 TGG	REVISION		DATE		30-120±0.6	1000-2000=±2.4		
				SCALE	4:1	SIZE	A				