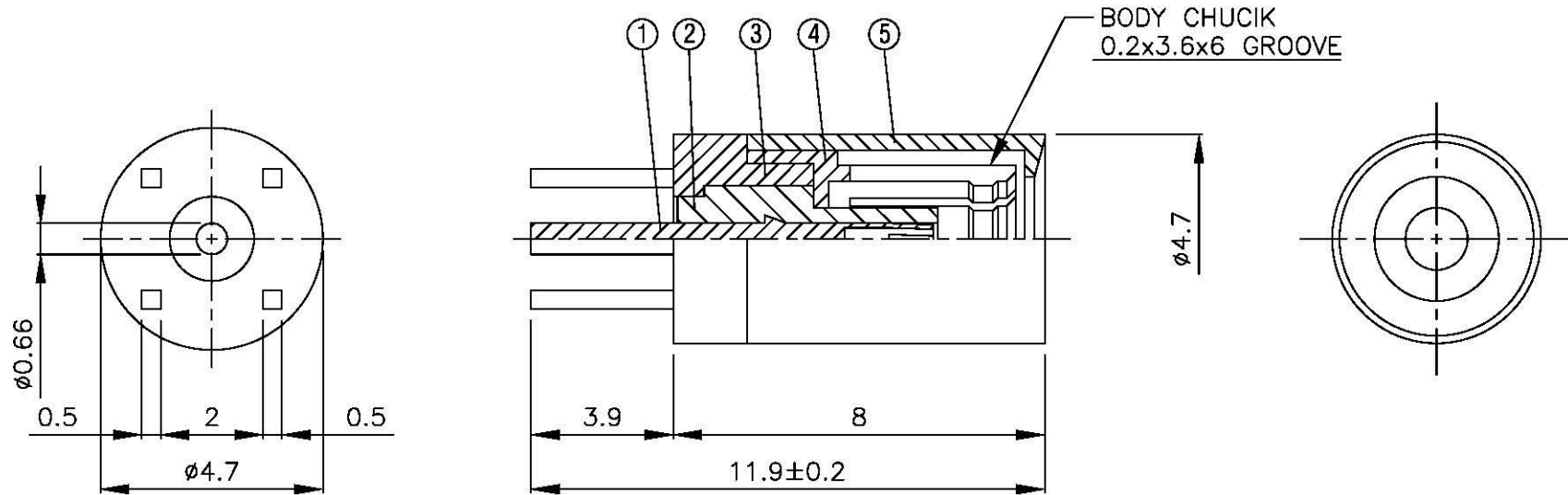
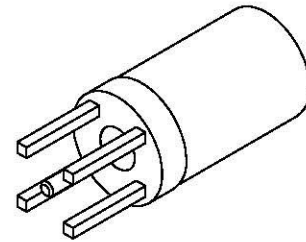


NO	DESCRIPTION	MATERIAL	Q'TY	FINISH	REMARK
1	PIN	BE CU	1	GOLD	P-SSMB0290-G
2	INSULATION	TEFLON	1	TEFLON	I-0052T
3	BODY 1	BRASS	1	GOLD	B-SSMB0438-G
4	BODY 2	BE CU	1	GOLD	B-SSMB0240-G
5	BODY 3	BRASS	1	GOLD	B-SSMB0242-G



	<p>www.allconnectors.de info@allconnectors.de Tel: +0049 7141 7008003 Fax: +0049 7141 7008004 20794 Finkenbrunn, Germany kempner@all.net</p>	DRAWN MARY DATE 96.07.05	DIMENSIONS ARE IN MILLIMETERS		REVISION		
		CHECKED 蘇志欣	DATE	UNLESS OTHERWISE SPECIFIED TOLERANCE		DESCRIPTION	ENGINEER
		Q.A. 蘇姿潔	DATE	0.5-5=±0.2 120-315=±1			
		APPROVAL 徐燦霖	DATE	5-30=±0.4 315-1000=±1.6			
		REVISION	DATE	30-120±0.6 1000-2000=±2.4			
TITLE SSMB JACK TYPE P.C. BOARD RECEPTACLES	PART NO. SSMB-06-TGG	DRAWING NO. SSMB 06 TGG	SCALE 4:1	SIZE A			