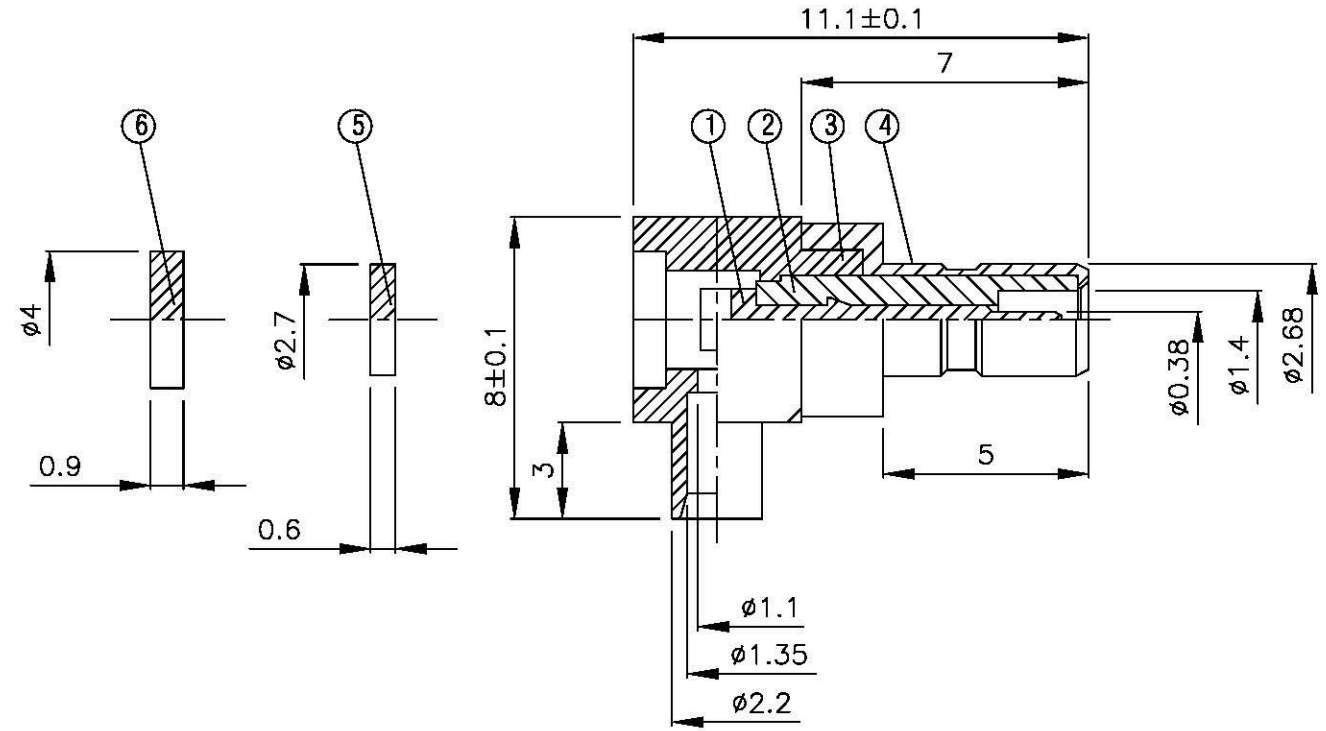
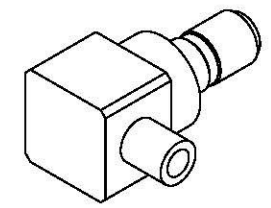
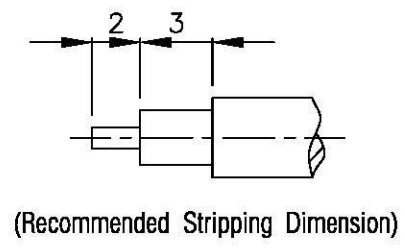


NO	DESCRIPTION	MATERIAL	Q'TY	FINISH	REMARK
1	PIN	BRASS	1	GOLD	P-SSMB0177-G
2	INSULATION 1	TEFLON	1	TEFLON	I-0083T
3	BODY 1	BRASS	1	GOLD	B-SSMB0250-G
4	BODY 2	BRASS	1	GOLD	B-SSMB0296-G
5	INSULATION 2	TEFLON	1	TEFLON	I-0113T
6	WASHER	BRASS	1	GOLD	W-0017-G



D

C

B

A

D

C

B

A

		DRAWN MARY DATE 96.07.05	DIMENSIONS ARE IN MILLIMETERS		REVISION	
	<small>www.allconnectors.de Tel: +49 172 421 0004 20294 Hildesheim - Germany</small>	CHECKED 蘇志欣 DATE	UNLESS OTHERWISE SPECIFIED TOLERANCE		DESCRIPTION	ENGINEER
	TITLE SSMB MALE ANGLE SOLDER FOR M17/151(.047)	Q.A. 蘇姿潔 DATE	0.5-5=±0.2 120-315=±1 5-30= ±0.4 315-1000=±1.6 30-120±0.6 1000-2000=±2.4			
	PART NO. SSMB-04V3-TGG	APPROVAL 徐燦霖 DATE	SCALE 4:1 SIZE A			
	DRAWING NO. SSMB 04V3 TGG	REVISION DATE				

4

3

2

1