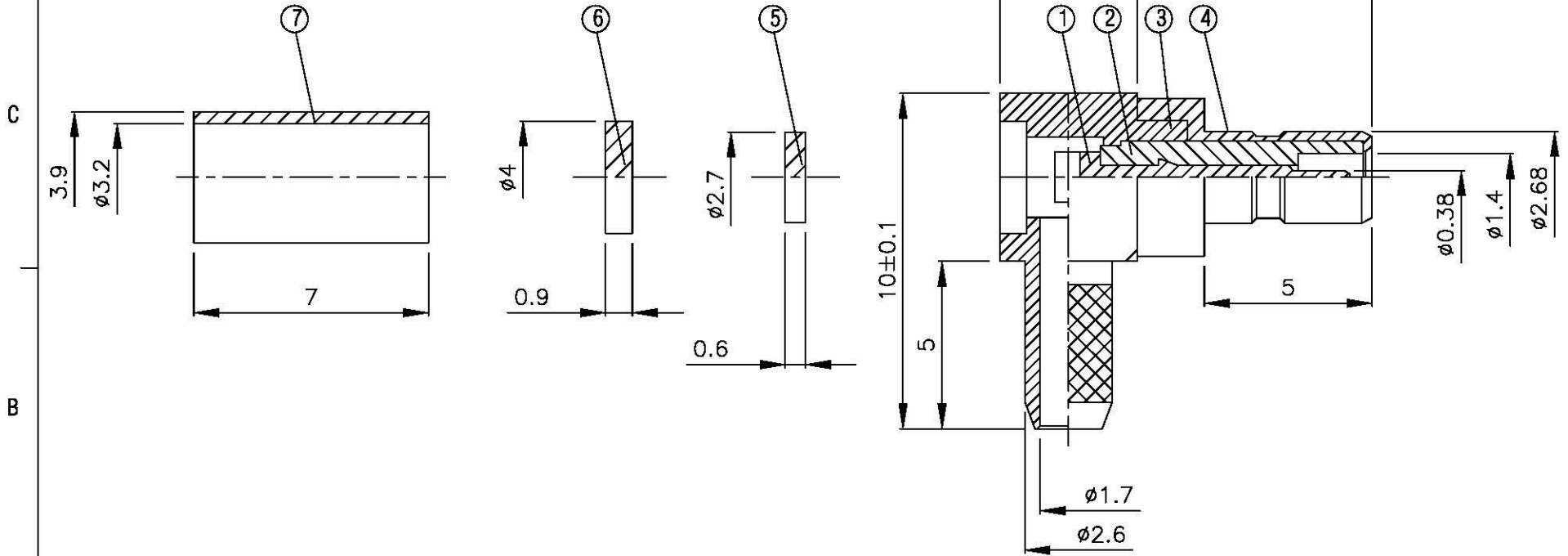
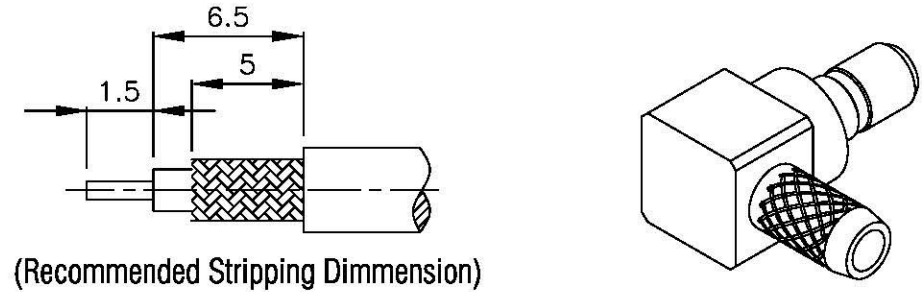
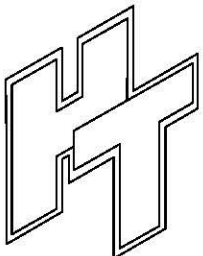



NO	DESCRIPTION	MATERIAL	Q'TY	FINISH	REMARK
1	PIN	BRASS	1	GOLD	P-SSMB0177-G
2	INSULATION 1	TEFLON	1	TEFLON	I-0083T
3	BODY 1	BRASS	1	GOLD	B-SSMB0243-G
4	BODY 2	BRASS	1	GOLD	B-SSMB0296-G
5	INSULATION 2	TEFLON	1	TEFLON	I-0113T
6	WASHER	BRASS	1	GOLD	W-0017-G
7	RING	BRASS	1	GOLD	R-0001-G



		DRAWN MARY DATE 96.03.06	DIMENSIONS ARE IN MILLIMETERS		REVISION	
	<small> 廣州全訊連接器有限公司 廣州全訊連接器有限公司 廣州全訊連接器有限公司 </small>	CHECKED 黃巧君 DATE	UNLESS OTHERWISE SPECIFIED TOLERANCE		DESCRIPTION	ENGINEER
	TITLE SSMB MALE ANGLE CRIMP FOR RG 316/U	Q.A. 蘇姿潔 DATE	0.5-5=±0.2 120-315=±1			
	PART NO. SSMB-04LV1-TGG	APPROVAL 徐燦霖 DATE	5-30=±0.4 315-1000=±1.6			
	DRAWING NO. SSMB 04LV1 TGG	REVISION DATE	30-120±0.6 1000-2000=±2.4	SCALE 4:1	SIZE A	