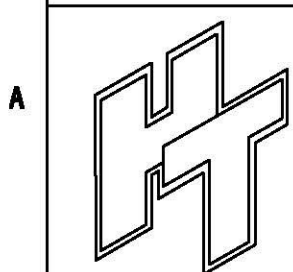
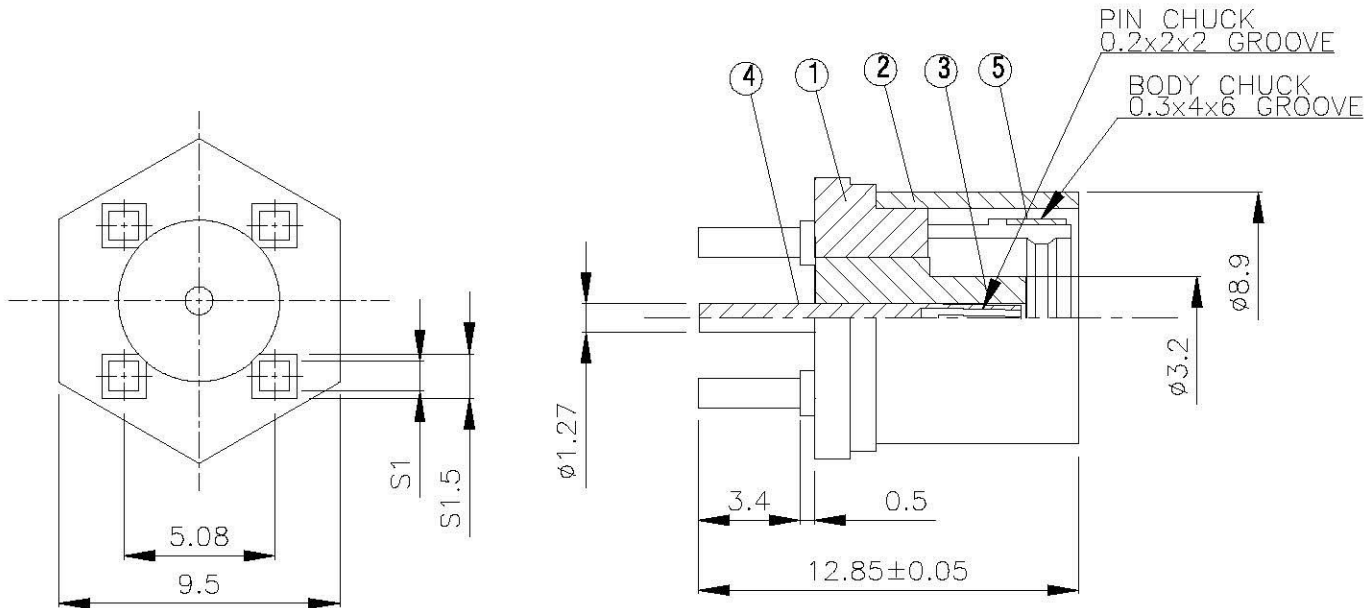
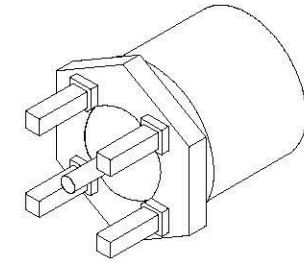


NO	DESCRIPTION	MATERIAL	Q'TY	FINISH
1	BODY 1	BRASS	1	NICKEL
2	BODY 2	BRASS	1	NICKEL
3	INSULATION 1	TEFLON	1	TEFLON
4	PIN	BE CU	1	GOLD
5	WASHER	BE CU	1	NICKEL



All Connectors
 www.allconnectors.de
 Tel: +49 40 42 21 20 83 03
 78754 Fildersloch - Germany
 info@allconnectors.de
 Fax: +49 40 42 21 20 83 04
 Reiberslocher Str. 25

**TITLE SMZ JACK PCB MOUNT
75 Ohm**

PART NO. SMZ-08-TGG

DRAWING NO. SMZ 08 TGG

DRAWN 蘇姿灤

DATE 97.12.17

CHECKED 蘇志欣

DATE

Q.A. 林妙樺

DATE

APPROVAL 徐燦霖

DATE

REVISION

DATE

DIMENSIONS ARE IN MILLIMETERS

UNLESS OTHERWISE SPECIFIED TOLERANCE

0.5-5=±0.2 120-315=±1

5-30= ±0.4 315-1000=±1.6

30-120±0.6 1000-2000=±2.4

SCALE 4:1 **SIZE** A

REVISION

DESCRIPTION **ENGINEER**