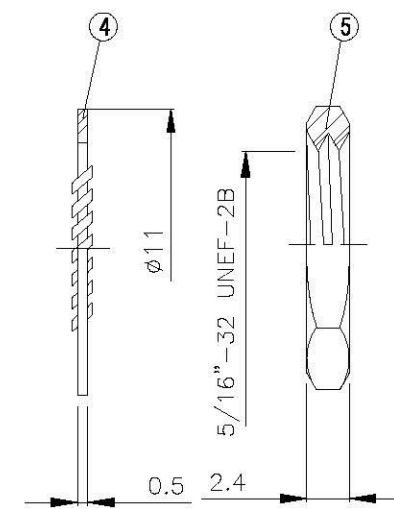
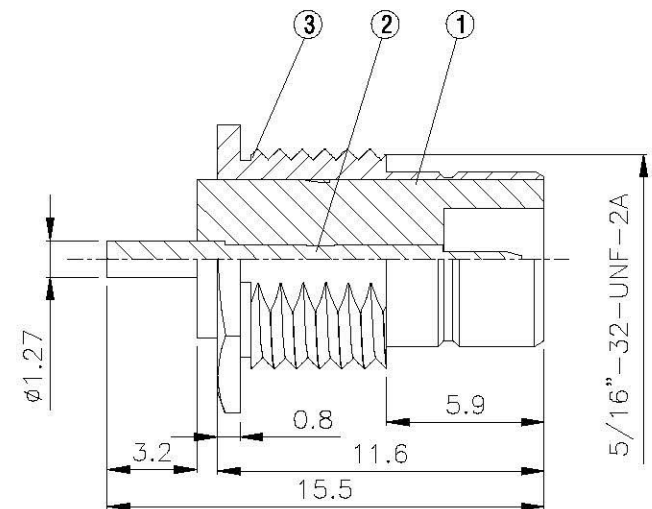
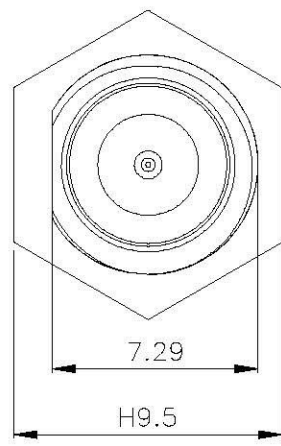
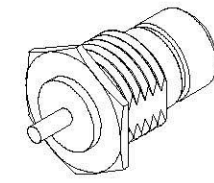
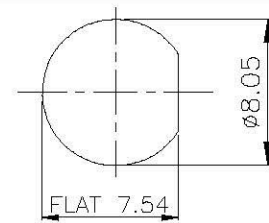
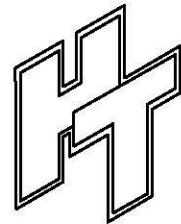


NO	DESCRIPTION	MATERIAL	Q'TY	FINISH	REMARK
1	INSULATION	TEFLON	1	TEFLON	I-0633T
2	PIN	BRASS	1	GOLD	P-SMZ0929-G
3	BODY	BRASS	1	GOLD	B-SMZ1343-N
4	WASHER	BRASS	1	GOLD	W-0091-N
5	NUT	BRASS	1	GOLD	N-0072-N





All Connectors
www.allconnectors.com
 14251107, 14251108, 14251109, 14251110, 14251111, 14251112, 14251113, 14251114, 14251115, 14251116, 14251117, 14251118, 14251119, 14251120, 14251121, 14251122, 14251123, 14251124, 14251125, 14251126, 14251127, 14251128, 14251129, 14251130, 14251131, 14251132, 14251133, 14251134, 14251135, 14251136, 14251137, 14251138, 14251139, 14251140, 14251141, 14251142, 14251143, 14251144, 14251145, 14251146, 14251147, 14251148, 14251149, 14251150, 14251151, 14251152, 14251153, 14251154, 14251155, 14251156, 14251157, 14251158, 14251159, 14251160, 14251161, 14251162, 14251163, 14251164, 14251165, 14251166, 14251167, 14251168, 14251169, 14251170, 14251171, 14251172, 14251173, 14251174, 14251175, 14251176, 14251177, 14251178, 14251179, 14251180, 14251181, 14251182, 14251183, 14251184, 14251185, 14251186, 14251187, 14251188, 14251189, 14251190, 14251191, 14251192, 14251193, 14251194, 14251195, 14251196, 14251197, 14251198, 14251199, 14251200

TITLE SMB 75 OHM MALE RECEPTACLES	
PART NO. SMZ-06-TGN	
DRAWING NO. SMZ 06 TGN	

DRAWN	蘇姿潔	DATE	97.10.28
CHECKED	蘇志欣	DATE	
Q.A.	林妙禪	DATE	
APPROVAL	徐燦霖	DATE	
REVISION		DATE	

DIMENSIONS ARE IN MILLIMETER			
UNLESS OTHERWISE SPECIFIED TOLERANCE			
0.5-5=±0.2	120-315=±1		
5-30=±0.4	315-1000=±1.6		
30-120=±0.6	1000-2000=±2.4		
SCALE	4:1	SIZE	A

REVISION	
DESCRIPTION	ENGINEER