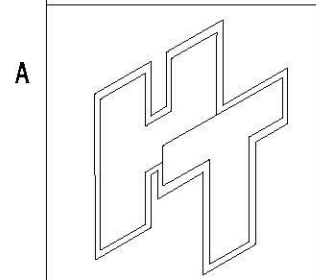
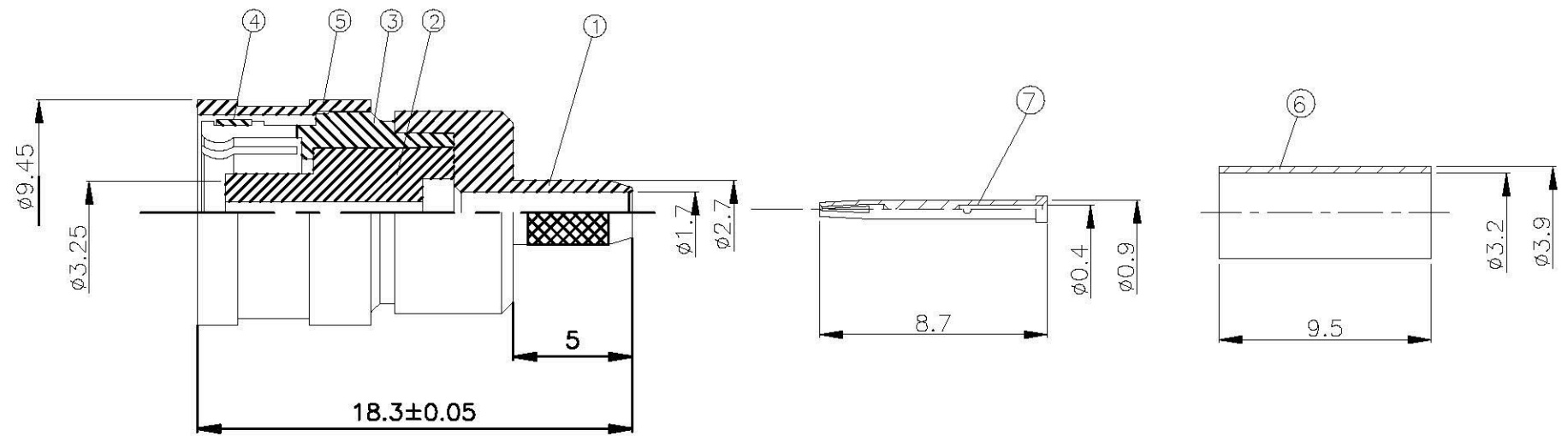
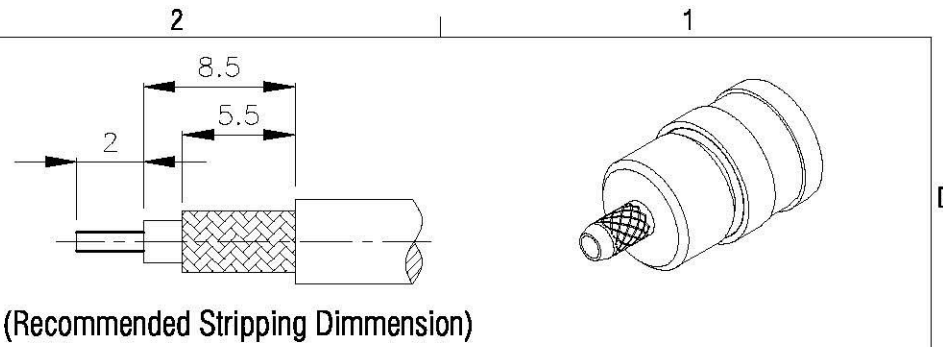


NO	DESCRIPTION	MATERIAL	Q'TY	FINISH	REMARK
1	BODY 1	BRASS	1	NICKEL	B-SMZ0749-N
2	INSULATION	TEFLON	1	TEFLON	I-0365T
3	BODY 2	BRASS	1	GOLD	B-SMZ0754-G
4	WASHER	BRASS	1	NICKEL	W-0065-N
5	BODY 3	BRASS	1	NICKEL	B-SMZ0755-N
6	RING	BRASS	1	NICKEL	R-0002-N
7	PIN	BE CU	1	GOLD	P-SMZ0528-G



Allconnectors
 www.allconnectors.de
 Tel.: 0049 711 7009500
 info@allconnectors.de
 Fax: 0049 711 7009504
 Kempten, Germany

TITLE
SMZ JACK CRIMP FOR RG-179/U

PART NO.
SMZ-01N-TGN

DRAWING NO.
SMZ 01N TGN

DRAWN MARY DATE 96.10.02
 CHECKED 蘇志欣 DATE
 Q.A. 蘇姿潔 DATE
 APPROVAL 徐燦霖 DATE
 REVISION DATE

DIMENSIONS ARE IN MILLIMETERS

UNLESS OTHERWISE SPECIFIED TOLERANCES

0.5-5=±0.2	120-315=±1
5-30=±0.4	315-1000=±1.6
30-120=±0.6	1000-2000=±2.4

SCALE 4:1 SIZE A

REVISION	
DESCRIPTION	ENGINEER