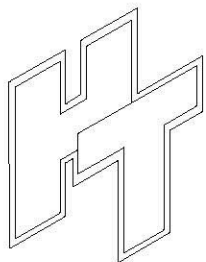
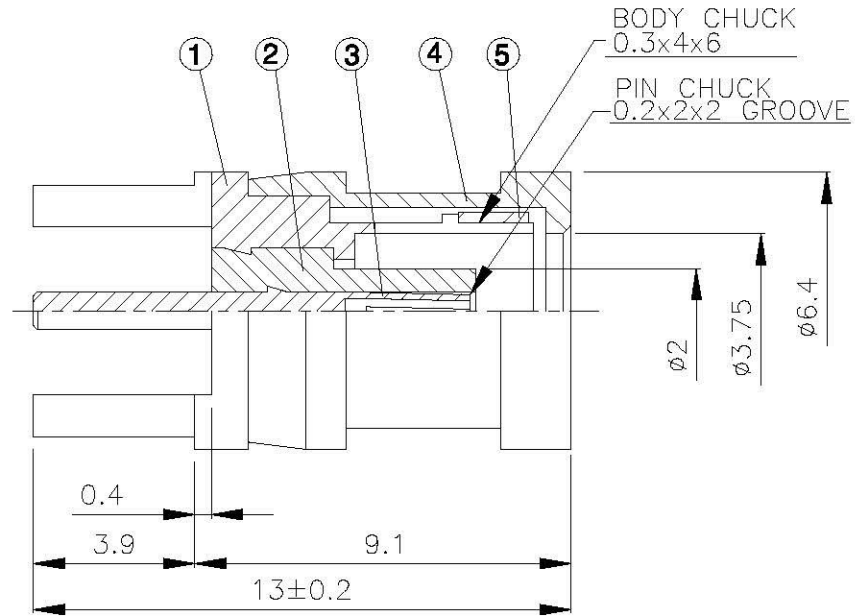
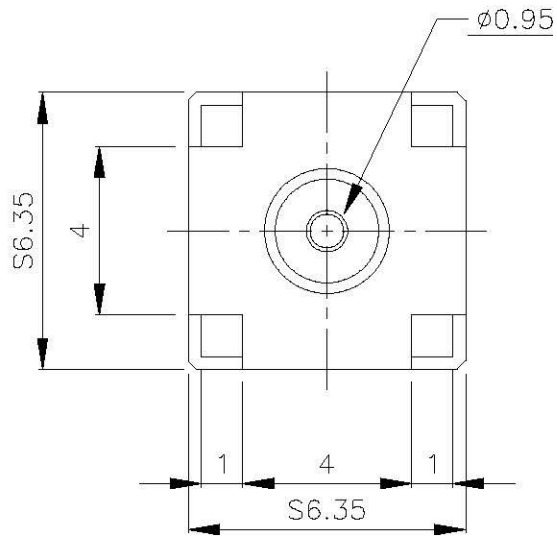
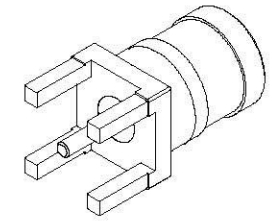
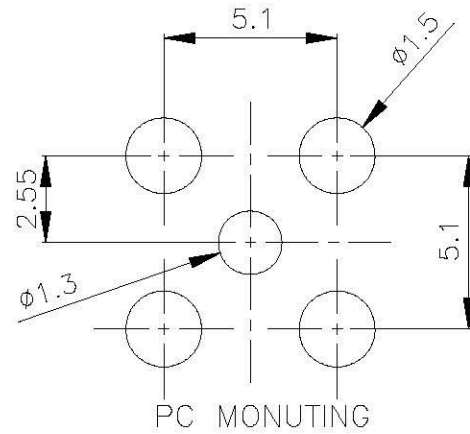


NO	DESCRIPTION	MATERIAL	Q'TY	FINISH	REMARK
1	BODY 1	BRASS	1	GOLD	B-SMS1258-G
2	INSULATION	TEFLON	1	TEFLON	I-0069T
3	PIN	BE CU	1	GOLD	P-SMB0163-G
4	BODY 2	BRASS	1	GOLD	B-SMB1253-G
5	WASHER	BRASS	1	GOLD	W-0035



Allconnectors

www.allconnectors.de
Tel.: 0440 212 400500
70794 Filhrtsndt Germany

Info@allconnectors.de
Fax: 0440 212 700009
Kontakt@allconnectors.de

TITLE
SMS FEMALE PC MOUNT

PART NO.
SMS-12-TGG

DRAWING NO. **SMS 12 TGG**

DRAWN
MARY

CHECKED
黃巧君

Q.A.
蘇姿潔

APPROVAL
徐燦霖

REVISION

DATE
91.03.11

DATE
91.03.11

DATE

DATE

DATE

DIMENSIONS ARE IN MILLIMETERS

UNLESS OTHERWISE SPECIFIED
TOLERANCE

0.5-5=±0.2 120-315=±0.2

5-30=±0.4 315-1000=±0.4

30-120=±0.6 1000-2000=±0.6

SCALE 5:1 SIZE A

REVISION

DESCRIPTION ENGINEER