

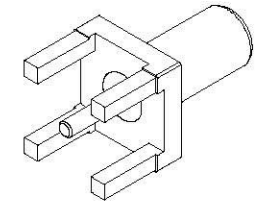
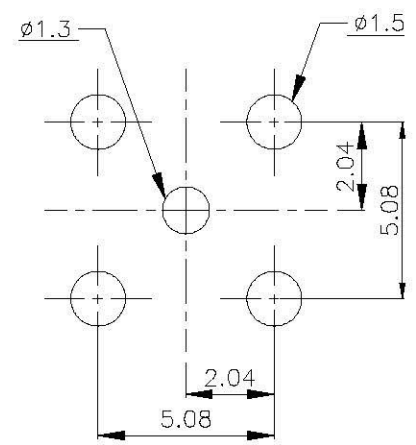
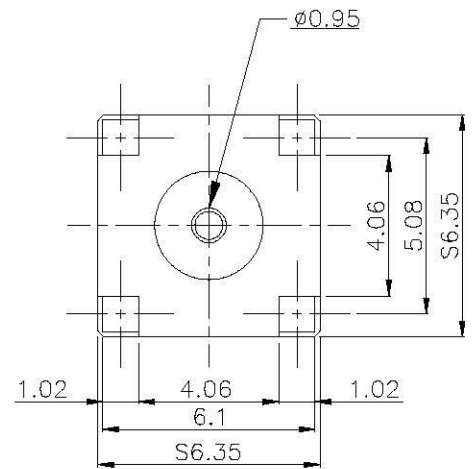
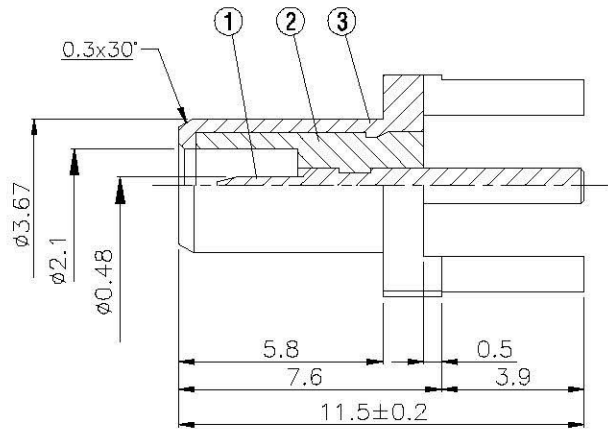
NO	DESCRIPTION	MATERIAL	Q'TY	FINISH	REMARK
1	PIN	BRASS	1	GOLD	P-SMB0125-G
2	INSULATION	TEFLON	1	TEFLON	I-0031T
3	BODY	BRASS	1	GOLD	B-SMS1257-G

D

C

B

A



D

C

B

A

	Allconnectors <small>www.allconnectors.com</small> <small>info@allconnectors.com</small> <small>TEL: (86) 755 23000000</small> <small>FAX: (86) 755 23000000</small> <small>300240 Shenzhen, China</small> <small>300240 Shenzhen, China</small>	DRAWN MARY DATE 97.01.04	DIMENSIONS ARE IN MILLIMETERS		REVISION	
	TITLE SMS MALE PCB MOUNT	CHECKED 黃巧君 DATE	UNLESS OTHERWISE SPECIFIED TOLERANCE		DESCRIPTION	ENGINEER
	PART NO. SMS-11-TGG	Q.A. 蘇姿潔 DATE	0.5-5=±0.2 120-315=±1			
	DRAWING NO. SMS 11 TGG	APPROVAL 徐燦霖 DATE	5-30=±0.4 315-1000=±1.6			
		REVISION DATE	30-120±0.6 1000-2000=±2.4	SCALE 4:1	SIZE A	

4

3

2

1