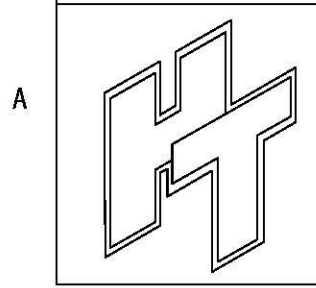
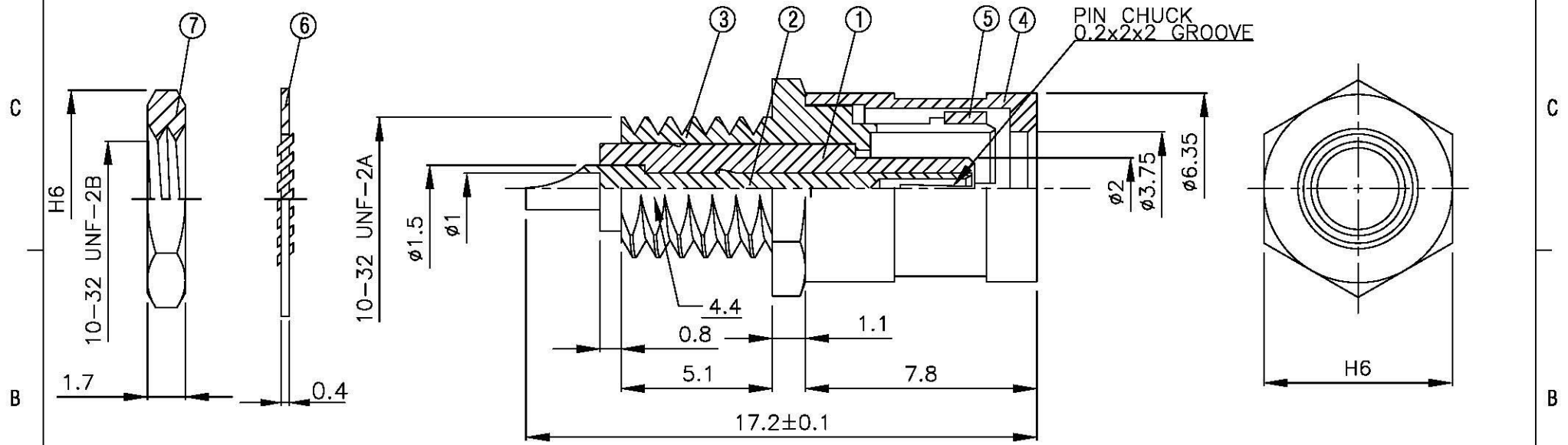
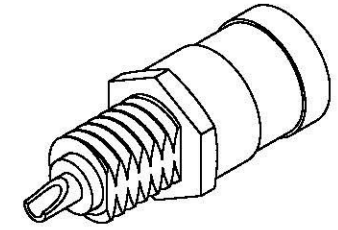


NO	DESCRIPTION	MATERIAL	Q'TY	FINISH	REMARK
1	INSULATION	TEFLON	1	TEFLON	I-0600T
2	PIN	BE CU	1	GOLD	P-SMS0888-G
3	BODY	BRASS	1	NICKEL	B-SMS1244-N
4	BODY 2	BRASS	1	NICKEL	B-SMB0245-N
5	WASHER	BE CU	1	NICKEL	W-0035-G
6	WASHER	BRASS	1	NICKEL	W-0009-N
7	NUT	BRASS	1	NICKEL	N-0005-N



Allconnectors
 www.allconnectors.de info@allconnectors.de
 Tel: 0449 713 709809 Fax: 0449 713 709804
 70734 Filzbergswald - Germany Kellernmetz, 25

TITLE
SMS FEMALE RECEPTACLES

PART NO.
SMS-10-TGN

DRAWING NO.
SMS-10-TGN

DRAWN MARY DATE 96.12.04
 CHECKED 蘇志欣 DATE
 Q.A. 蘇姿潔 DATE
 APPROVAL 徐燦霖 DATE
 REVISION DATE

DIMENSIONS ARE IN MILLMETER
 UNLESS OTHERWISE SPECIFIED TOLERANCE
 0.5-5=±0.2 120-315=±1
 5-30=±0.4 315-1000=±1.6
 30-120=±0.6 1000-2000=±2.4
 SCALE 4:1 SIZE A

REVISION	
DESCRIPTION	ENGINEER