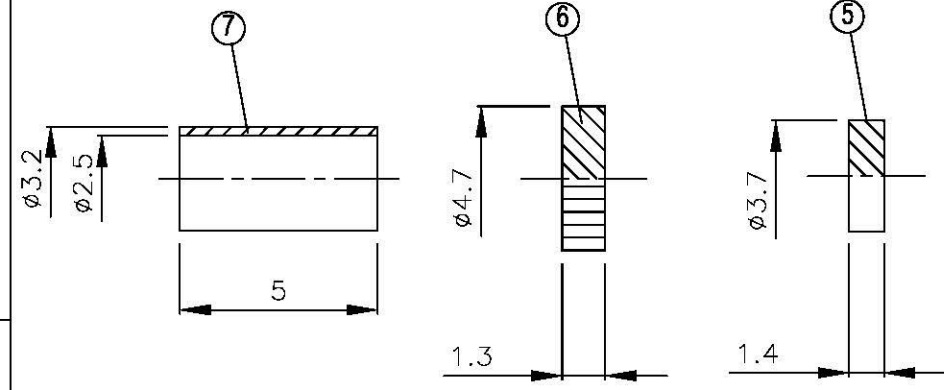
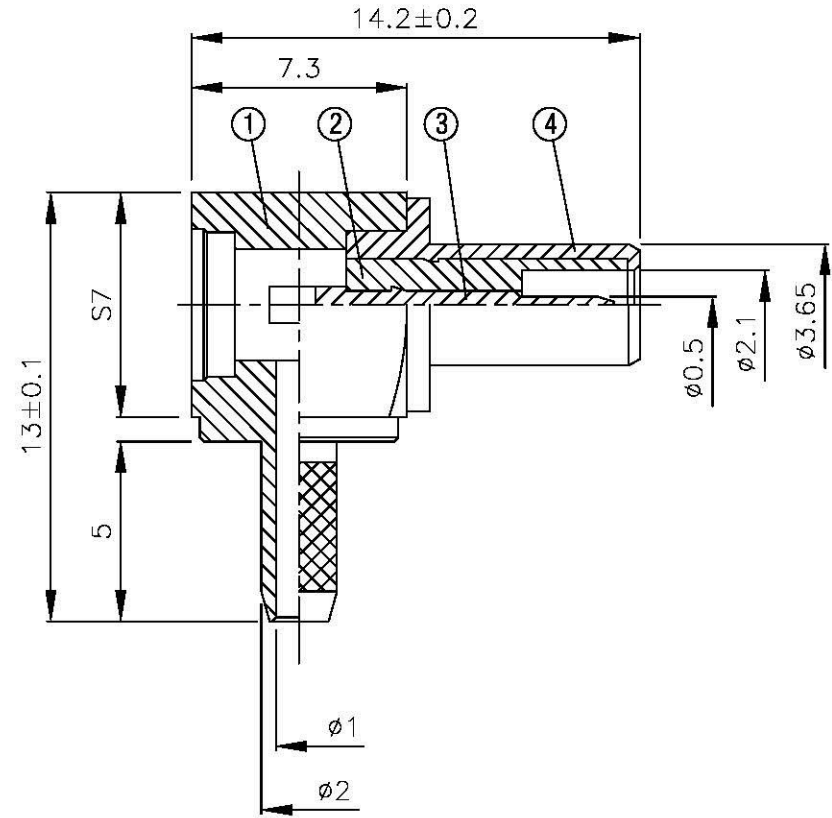
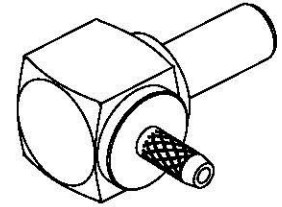


NO	DESCRIPTION	MATERIAL	Q'TY	FINISH	REMARK
1	BODY 1	BRASS	1	GOLD	B-SMA0214-G
2	INSULATION	TEFLON	1	TEFLON	I-0058T
3	PIN	PH.BRONZE	1	GOLD	P-SMB0188-G
4	BODY	BRASS	1	GOLD	B-SMS1256-G
5	INSULATION 2	TEFLON	1	TEFLON	I-0136T
6	WASHER 2	BRASS	1	GOLD	W-0023-G
7	RING	BRASS	1	GOLD	R-0022-G



D

C

B

A

D

C

B

A

	Allconnectors <small>www.allconnectors.de Tel.: 0049 711 7009208 Fax: 0049 711 7009204 Kellernstr. 25</small>	DRAWN MARY DATE 97.01.04	DIMENSIONS ARE IN MILLIMETERS		REVISION	
	TITLE SMS MALE CRIMP FOR RG178/U	CHECKED 黄巧君 DATE	UNLESS OTHERWISE SPECIFIED TOLERANCE		DESCRIPTION	ENGINEER
	Q.A. 蘇姿潔 DATE	0.5-5=±0.2 120-315=±1 5-30=±0.4 315-1000=±1.6 30-120±0.6 1000-2000=±2.4				
	PART NO. SMS-08M-TGG	APPROVAL 徐燦霖 DATE	SCALE 4:1	SIZE A		
	DRAWING NO. SMS 08M TGG	REVISION	DATE			

4

3

2

1