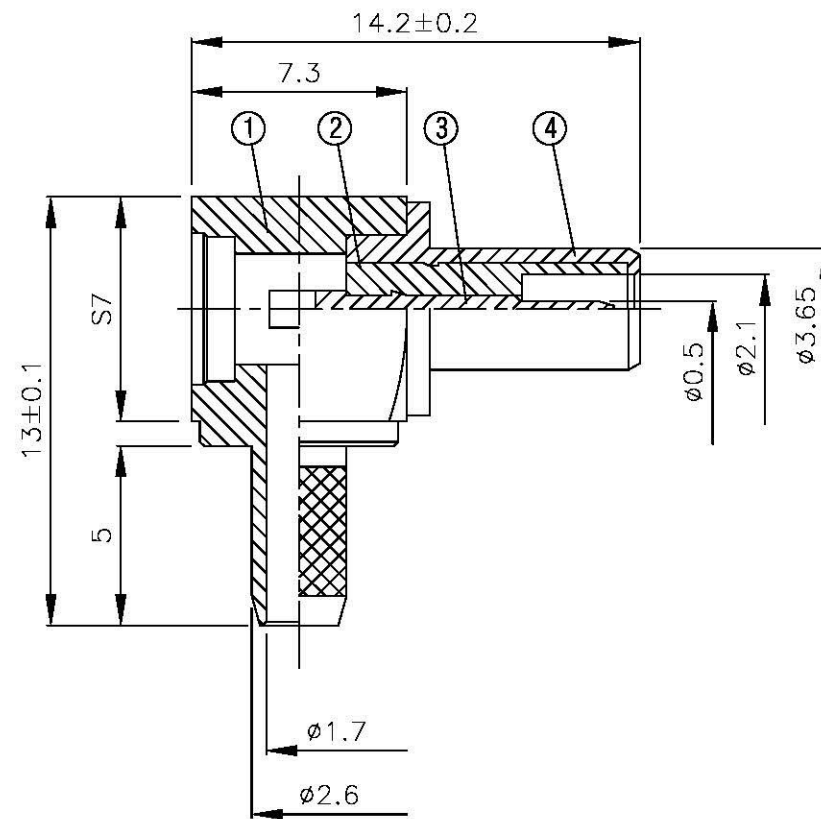
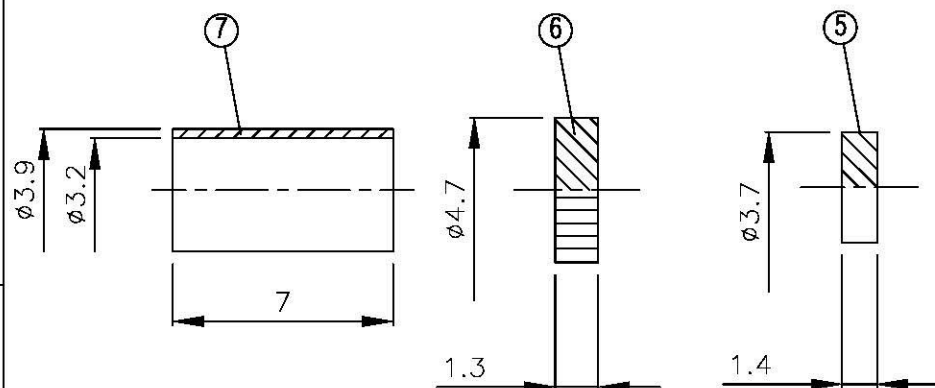
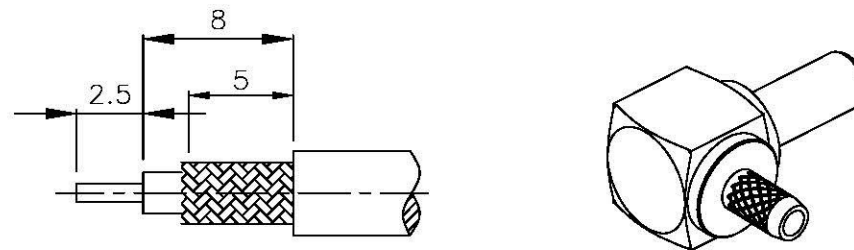
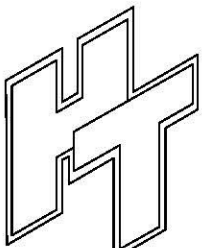



NO	DESCRIPTION	MATERIAL	Q'TY	FINISH	REMARK
1	BODY 1	BRASS	1	GOLD	B-SMA0155-G
2	INSULATION	TEFLON	1	TEFLON	I-0058T
3	PIN	PH.BRONZE	1	GOLD	P-SMB0188-G
4	BODY	BRASS	1	GOLD	B-SMS1256-G
5	INSULATION 2	TEFLON	1	TEFLON	I-0136T
6	WASHER 2	BRASS	1	GOLD	W-0023-G
7	RING	BRASS	1	GOLD	R-0001-G



			DRAWN	MARY	DATE	96.01.04	DIMENSIONS ARE IN MILLIMETERS		REVISION	
	<small>www.allconnectors.de Tel: +0049 711 209890 Jülich-Hilfstrasse 1 Germany</small>		<small>Innovative connectors Rev: 0048 711 209890 Kettelerstr. 10</small>		CHECKED	黄巧君	DATE	96.01.04	UNLESS OTHERWISE SPECIFIED TOLERANCE	
	TITLE		SMS MALE CRIMP FOR RG174/U,316/U		Q.A.	蘇姿潔	DATE		0.5-5=±0.2	120-315=±1
	PART NO.		SMS-08LV1-TGG		APPROVAL	徐燦霖	DATE		5-30=±0.4	315-1000=±1.6
	DRAWING NO.		SMS 08LV1 TGG		REVISION		DATE		30-120±0.6	1000-2000=±2.4
				SCALE	4:1	SIZE	A			