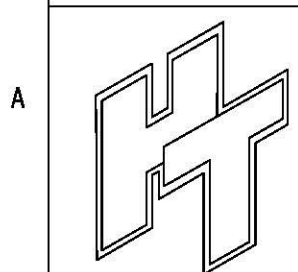
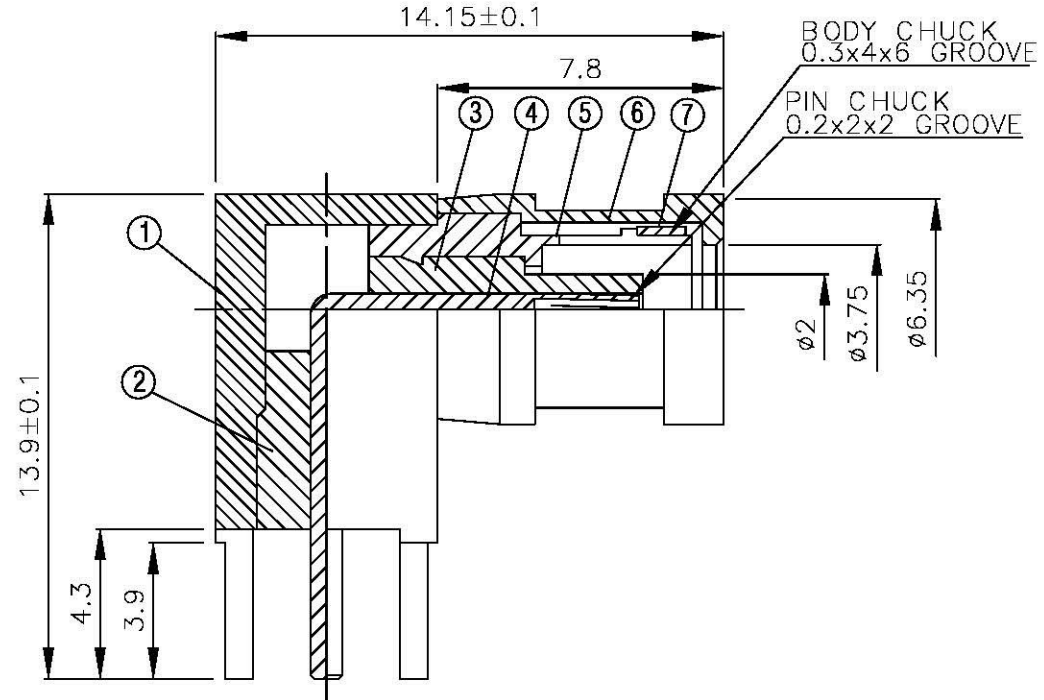
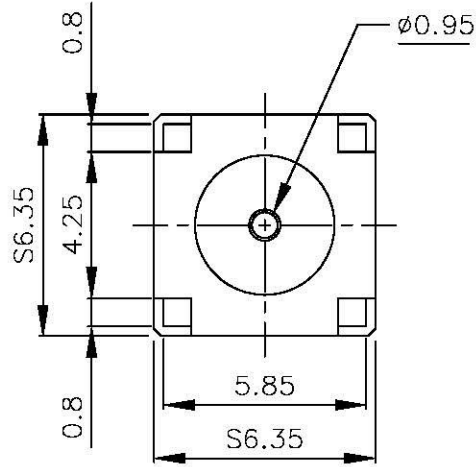
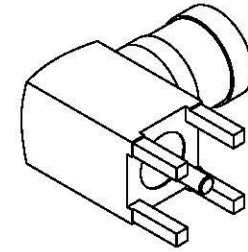
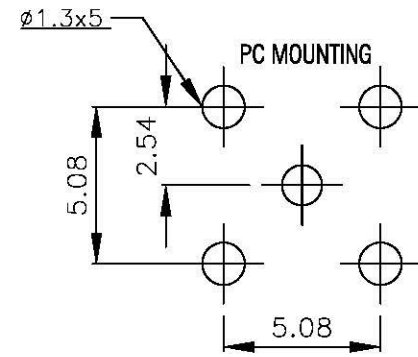


NO	DESCRIPTION	MATERIAL	Q'TY	FINISH	REMARK
1	BODY 1	BRASS	1	GOLD	B-SMA0086-G
2	INSULATION 1	TEFLON	1	TEFLON	I-0055T
3	INSULATION 2	TEFLON	1	TEFLON	I-0053T
4	PIN	BE CU	1	GOLD	P-SMB0147-G
5	BODY 2	BRASS	1	GOLD	B-SMS1241-G
6	BODY 3	BRASS	1	GOLD	B-SMS1253-G
7	WASHER	BE CU	1	GOLD	W-0035-G



All Connectors
 www.allconnectors.de info@allconnectors.de
 Tel.: 0049 711 7009503 Fax: 0049 711 7009504
 70734 Fildeisland - Germany Kettnerstr. 25

TITLE **SMS FEMALE ANGLE PC MOUNT**

PART NO. **SMS-06-TGG**

DRAWING NO. **SMS 06 TGG**

DRAWN MARY DATE 97.01.04

CHECKED 蘇姿潔 DATE

Q.A. 馮健華 DATE

APPROVAL 徐燦霖 DATE

REVISION DATE

DIMENSIONS ARE IN MILLIMETERS

UNLESS OTHERWISE SPECIFIED TOLERANCE

0.5-5 = ± 0.2 120-315 = ± 1

5-30 = ± 0.4 315-1000 = ± 1.6

30-120 = ± 0.6 1000-2000 = ± 2.4

SCALE 4:1 SIZE A

REVISION	
DESCRIPTION	ENGINEER