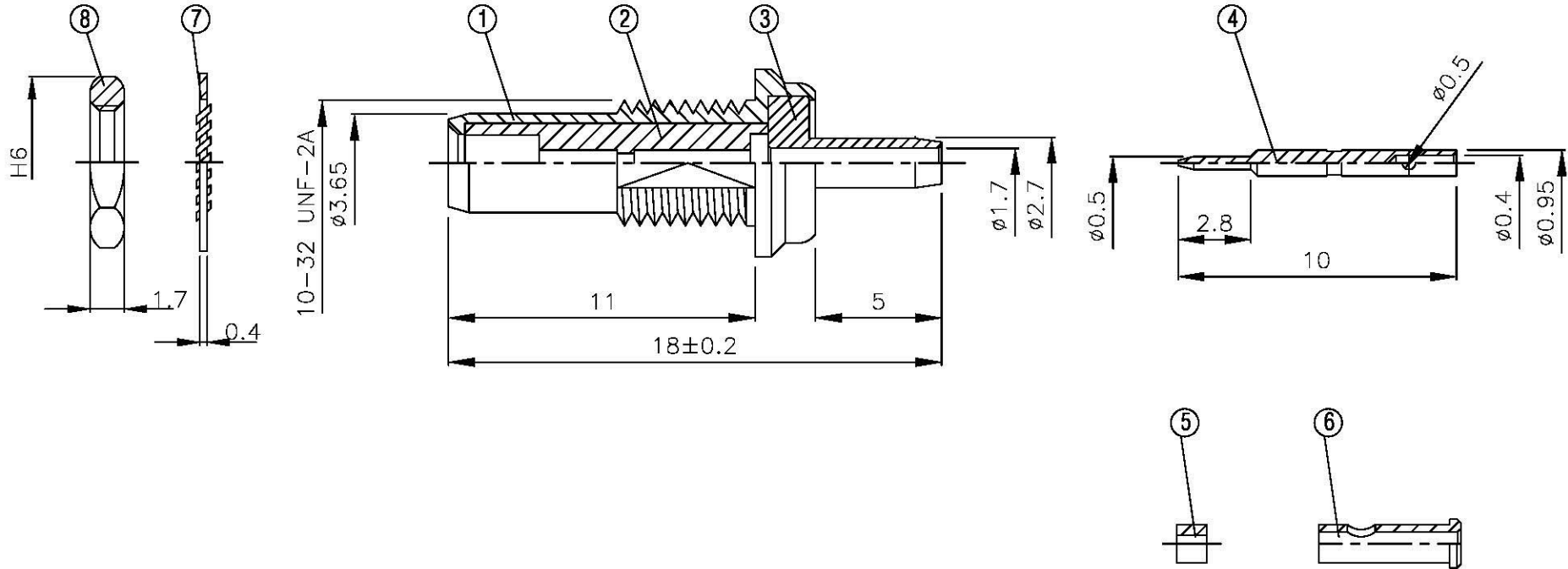
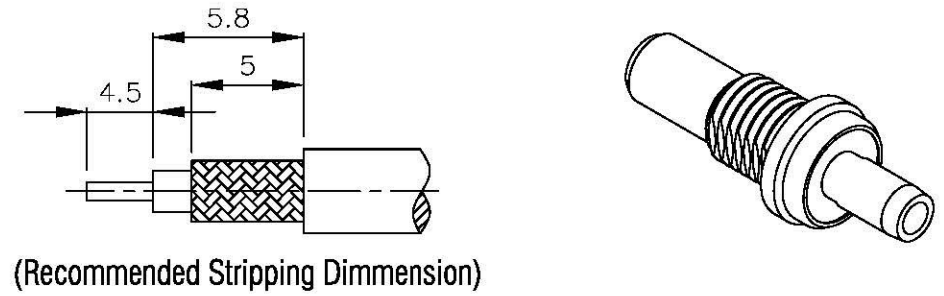


NO	DESCRIPTION	MATERIAL	Q'TY	FINISH	REMARK
1	BODY 1	BRASS	1	GOLD	B-SMS1255-G
2	INSULATION 1	TEFLON	1	TEFLON	I-0015T
3	BODY 2	BRASS	1	GOLD	B-SMB0173-G
4	PIN	PH.BRONZE	1	GOLD	P-SMC0115-G
5	INSULATION 2	TEFLON	1	TEFLON	I-0256T
6	BRASS 3	BRASS	1	GOLD	B-SMA0902-G
7	WASHER	BRASS	1	GOLD	W-0009-G
8	NUT	BRASS	1	GOLD	N-0005-G



	All Connectors <small>www.allconnectors.de Tel.: 0049 711 7009003 70731 Ulm/Lehrstr. 2B</small> <small>Info@allconnectors.de Fax: 0049 711 7009004 Ref: 0010101</small>	DRAWN MARY DATE 97.01.03	DIMENSIONS ARE IN MILLIMETERS		REVISION	
		CHECKED 蘇志欣 DATE	UNLESS OTHERWISE SPECIFIED TOLERANCE		DESCRIPTION	ENGINEER
		Q.A. 蘇姿潔 DATE	$0.5-5 = \pm 0.2$	$120-315 = \pm 1$		
		APPROVAL 徐燦霖 DATE	$5-30 = \pm 0.4$	$315-1000 = \pm 1.6$		
		REVISION DATE	$30-120 = \pm 0.6$	$1000-2000 = \pm 2.4$		
TITLE SMS MALE CRIMP FOR 1.30MM CABLE	PART NO. SMS-05U-TGG	SCALE 4:1	SIZE A			
DRAWING NO. SMS-05U-TGG						