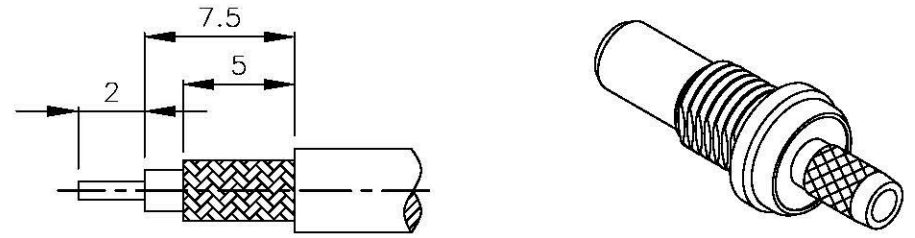
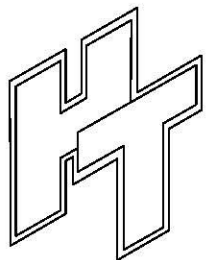
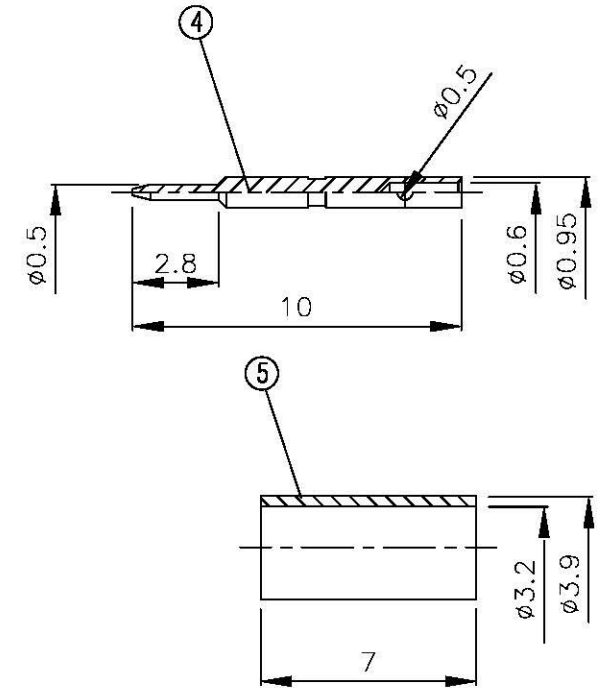
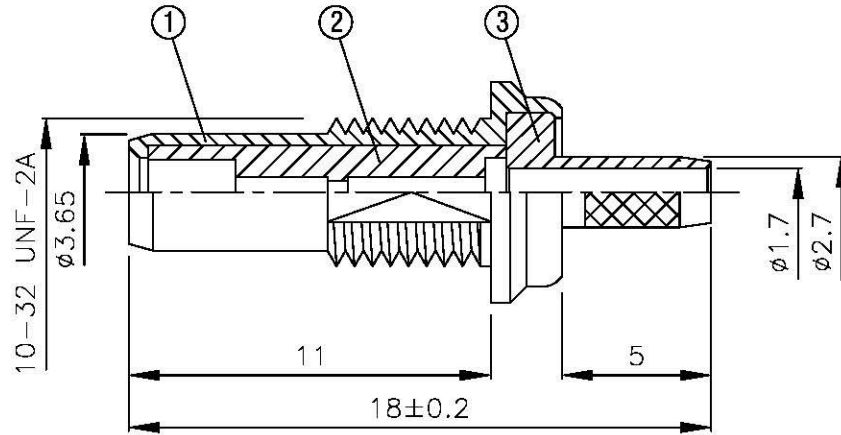
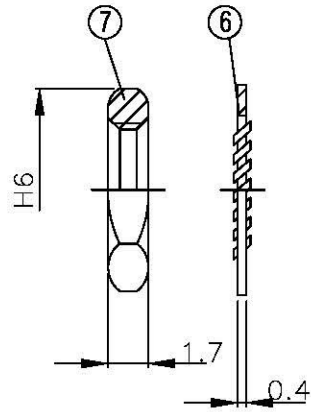


NO	DESCRIPTION	MATERIAL	Q'TY	FINISH	REMARK
1	BODY 1	BRASS	1	GOLD	B-SMS1255-G
2	INSULATION	TEFLON	1	TEFLON	I-0015T
3	BODY 2	BRASS	1	GOLD	B-SMB0172-G
4	PIN	PH.BRONZE	1	GOLD	P-SMC0097-G
5	RING	BRASS	1	GOLD	R-0001-G
6	WASHER	BRASS	1	GOLD	W-0009-G
7	NUT	BRASS	1	GOLD	N-0005-G



(Recommended Stripping Dimension)



All Connectors

www.allconnectors.com
Tel.: 0049 713 7005003
73794 Flörsheim - Germany

info@allconnectors.com
Fax: 0049 713 7005091
Kollmachers Str. 25

TITLE **SMS MALE CRIMP FOR
RG316U,174U**

PART NO. **SMS-05LV1-TGG**

DRAWING NO. **SMS-05LV1-TGG**

DRAWN **MARY** DATE **97.01.03**

CHECKED **黃巧君** DATE

Q.A. **蘇姿潔** DATE

APPROVAL **徐燦霖** DATE

REVISION DATE

DIMENSIONS ARE IN MILLIMETERS

UNLESS OTHERWISE SPECIFIED
TOLERANCE

0.5-5=±0.2	120-315=±1
5-30=±0.4	315-1000=±1.6
30-120±0.6	1000-2000=±2.4

SCALE | 4:1 | SIZE | A

REVISION

DESCRIPTION	ENGINEER

D

C

B

A

D

C

B

A

4

3

2

1