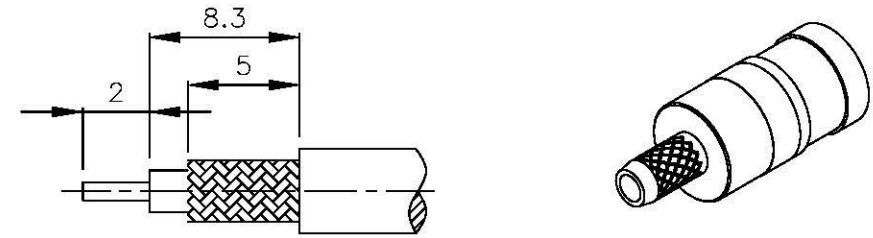
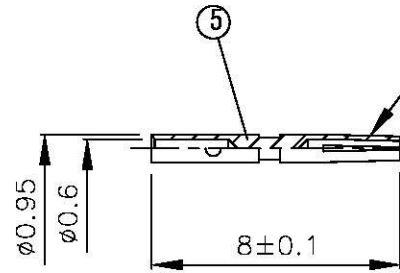
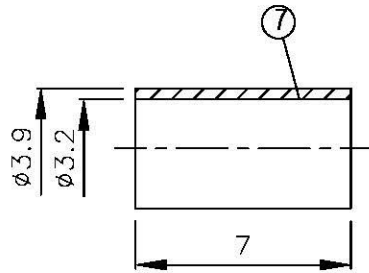


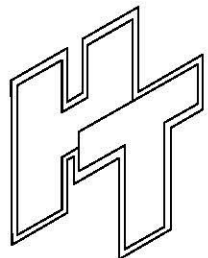
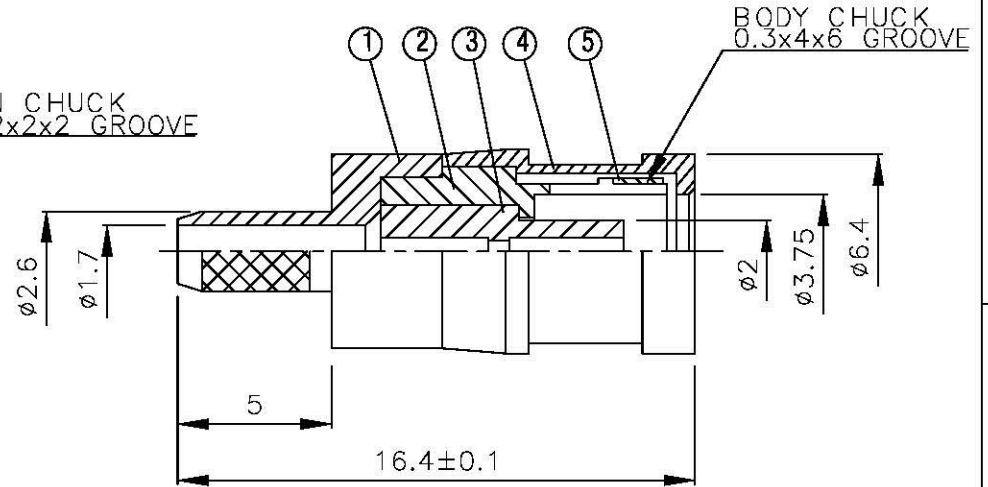
NO	DESCRIPTION	MATERIAL	Q'TY	FINISH	REMARK
1	BODY 1	BRASS	1	GOLD	B-SMB0246-G
2	BODY 2	BRASS	1	GOLD	B-SMS1254-G
3	INSULATION 1	TEFLON	1	TEFLON	I-0054T
4	BODY 3	BRASS	1	GOLD	B-SMS1253-G
5	PIN	BE CU	1	GOLD	P-SMB0146-G
6	WASHER	BE CU	1	NICKEL	W-0035-G
7	RING	BRASS	1	GOLD	R-0001-G



(Recommended Stripping Dimension)



PIN CHUCK
0.2x2x2 GROOVE



All Connectors

www.allconnectors.de
Tel.: 0640 711 7000503
76229 Filderstadt - Germany

info@allconnectors.de
Fax: 0640 711 7000504
Kettenstr. 25

DRAWN MARY DATE 97.01.02

CHECKED 黄巧君 DATE

Q.A. 蘇姿潔 DATE

APPROVAL 徐燦霖 DATE

REVISION DATE

DIMENSIONS ARE IN MILLIMETERS

UNLESS OTHERWISE SPECIFIED TOLERANCE

0.5-5=±0.2 120-315=±1

5-30=±0.4 315-1000=±1.6

30-120±0.6 1000-2000=±2.4

SCALE 4:1 SIZE A

REVISION

DESCRIPTION ENGINEER

TITLE SMS FEMALE CRIMP FOR RG316/U,174/U

PART NO. SMS-04LV1-TGG

DRAWING NO. SMS 04LV1 TGG

D

C

B

A

D

C

B

A

4

3

2

1