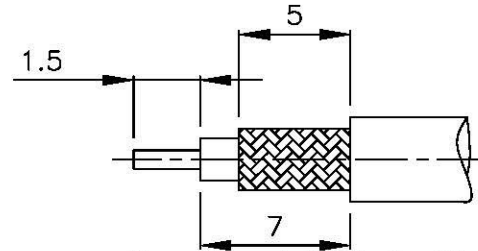
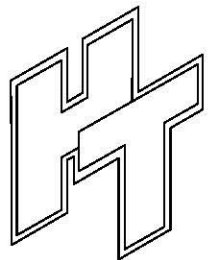
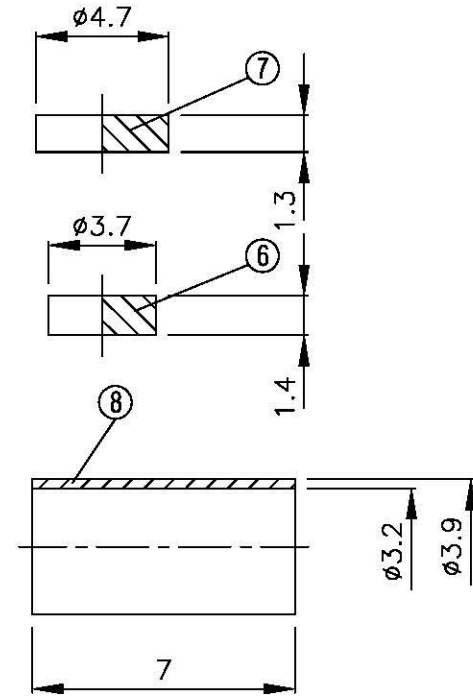
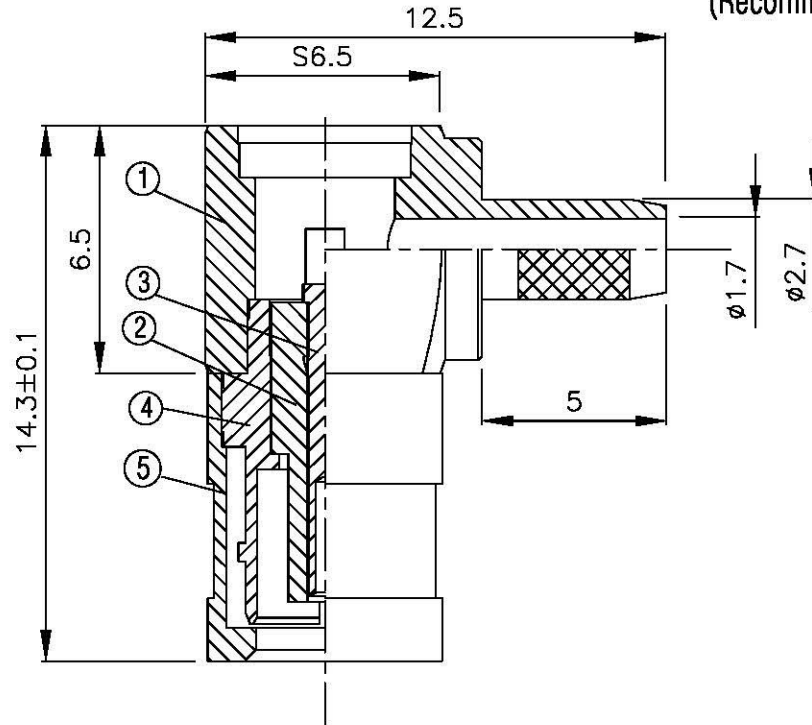
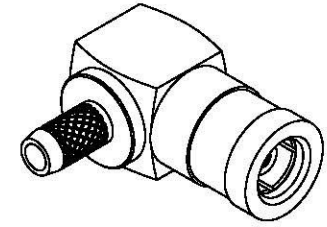


NO	DESCRIPTION	MATERIAL	Q'TY	FINISH	REMARK
1	BODY 1	BRASS	1	GOLD	B-SMS1242-G
2	INSULATION 1	TEFLON	1	TEFLON	I-0053T
3	PIN	BE CU	1	GOLD	P-SMB0145-G
4	BODY 2	BRASS	1	GOLD	B-SMS1241-G
5	BODY 3	BRASS	1	GOLD	B-SMB0245-G
6	INSULATION 2	TEFLON	1	TEFLON	I-0136T
7	WASHER 1	BRASS	1	GOLD	W-0023-G
8	RING	BRASS	1	GOLD	R-0002-G



(Recommended Stripping Dimension)



Allconnectors

www.allconnectors.de
Tel.: 0049 711 2095009
Königsplatz 11, 40229 Düsseldorf, Germany

info@allconnectors.de
Fax: 0049 711 2095004
Königsplatz 11, 40229

TITLE SMS MALE CRIMP ANGLE
FOR RG-174/U, RG-316/U

PART NO. SMS-02LV1-TGG

DRAWING NO. SMS-02LV1-TGG

DRAWN MARY DATE 96.11.28

CHECKED 蘇志欣 DATE 96.11.28

Q.A. 蘇姿潔 DATE

APPROVAL 徐燦霖 DATE

REVISION DATE

DIMENSIONS ARE IN MILLIMETERS

UNLESS OTHERWISE SPECIFIED
TOLERANCE
0.5-5=±0.2 120-315=±1
5-30=±0.4 315-1000=±1.6
30-120±0.6 1000-2000=±2.4

SCALE 4:1 SIZE A

REVISION

DESCRIPTION	ENGINEER