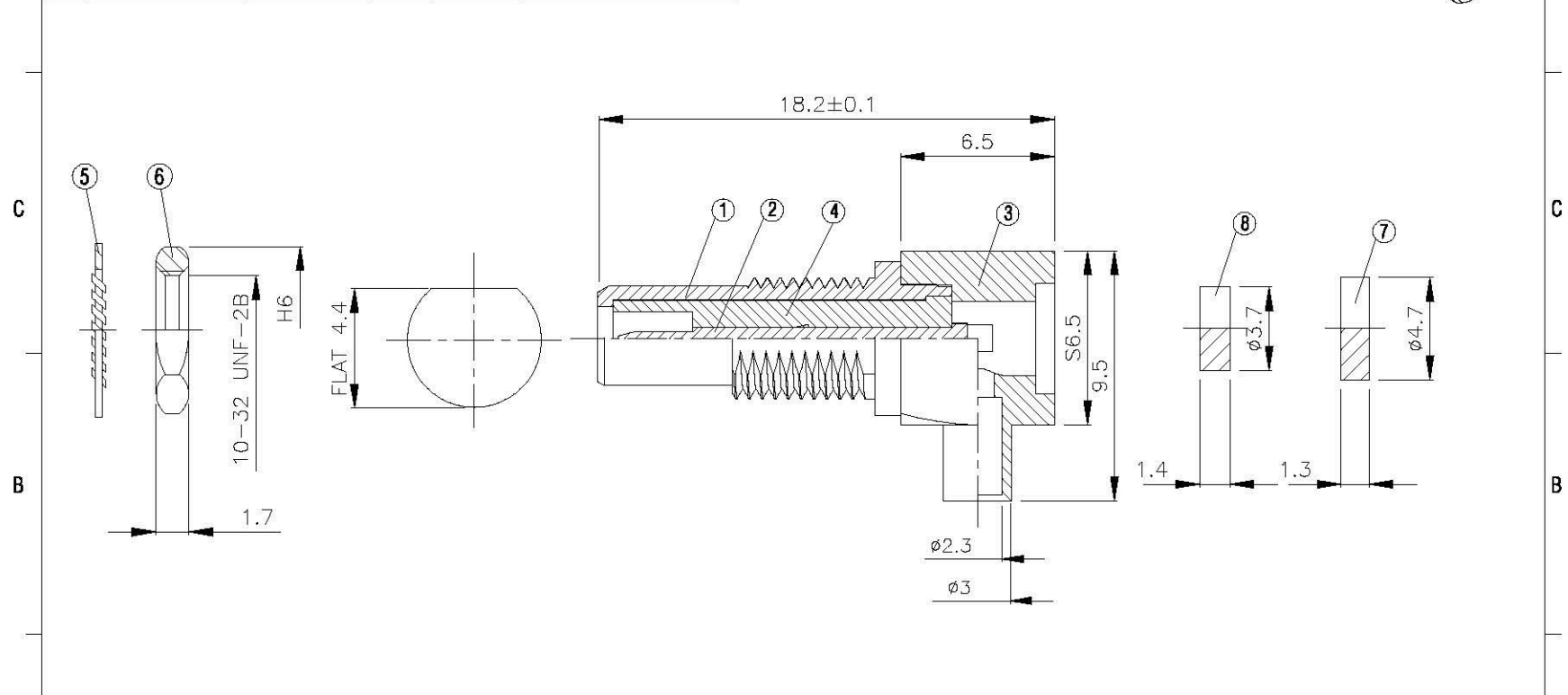
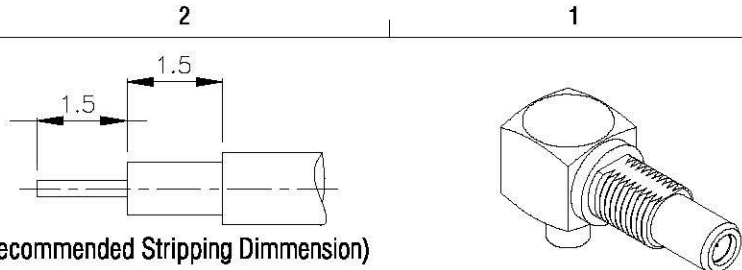


NO	DESCRIPTION	MATERIAL	Q'TY	FINISH	REMARK
1	BODY 1	BRASS	1	GOLD	B-SMS1237-G
2	PIN	PH.BRONZE	1	GOLD	P-SMB0601-G
3	BODY 2	BRASS	1	GOLD	B-SMS1238-G
4	INSULATION	TEFLON	1	TEFLON	I-0415T
5	WASHER	BRASS	1	GOLD	W-0084-G
6	NUT	BRASS	1	GOLD	N-0005-G
7	WASHER	BRASS	1	GOLD	W-0023-G
8	INSULATION	TEFLON	1	TEFLON	I-0136T



	<b>All Connectors</b> <small>www.allconnectors.de          TEL: 0049 711 300033          70548 Hiltlshausen, Germany</small>	<b>DRAWN</b> MARY <b>CHECKED</b> 蘇志欣 <b>Q.A.</b> 蘇姿潔 <b>APPROVAL</b> 徐慶霖 <b>REVISION</b>	<b>DATE</b> 96.11.16 <b>DATE</b> 97.07.08 <b>DATE</b> <b>DATE</b>	<b>DIMENSIONS ARE IN MILLIMETERS</b> <b>UNLESS OTHERWISE SPECIFIED TOLERANCE</b> 0.5-5=±0.2    120-315=±1 5-30=±0.4    315-1000=±1.6 30-120±0.6    1000-2000=±2.4	<b>REVISION</b> DESCRIPTION    ENGINEER
	<b>TITLE</b> SMS MALE SOLDER ANGLE FOR RG-405(.085")	<b>PART NO.</b> SMS-02V1-TGG	<b>DRAWING NO.</b> SMS-02V1-TGG	<b>SCALE</b> 4:1 <b>SIZE</b> A	