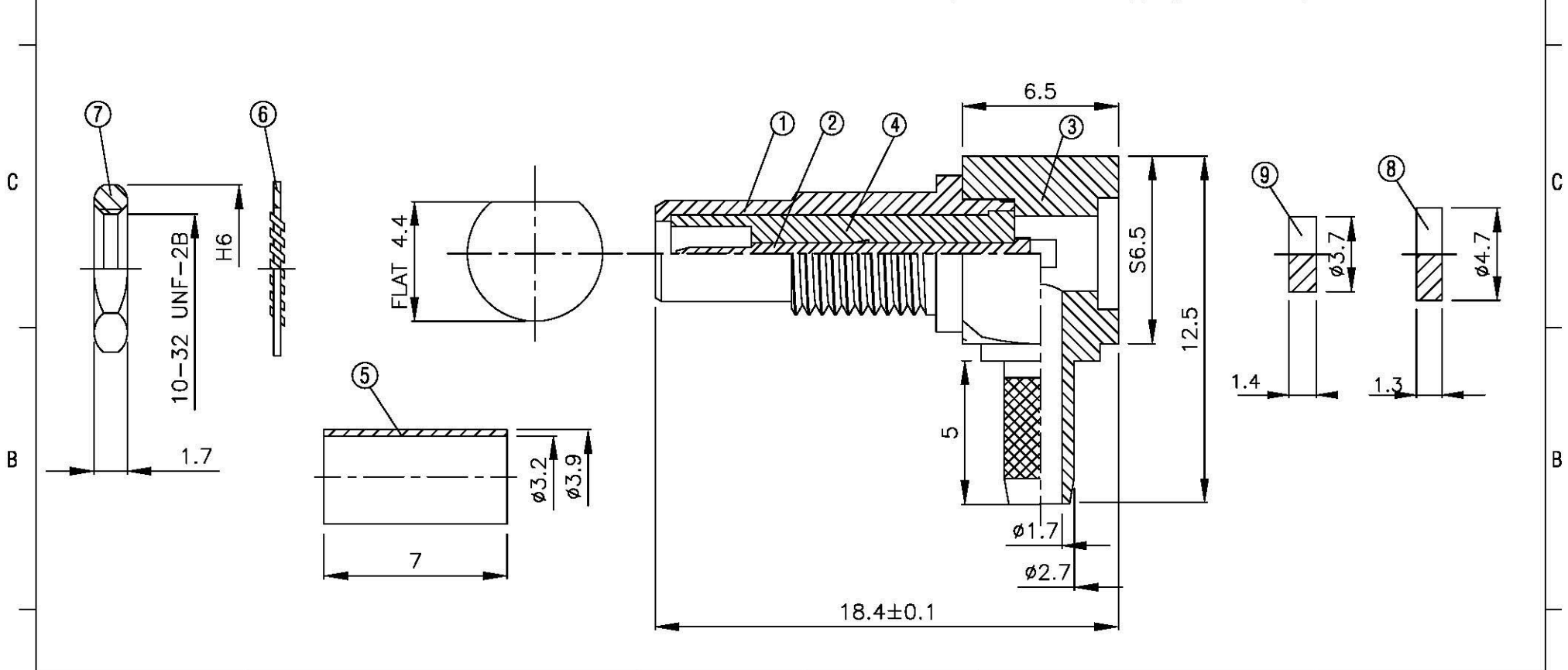
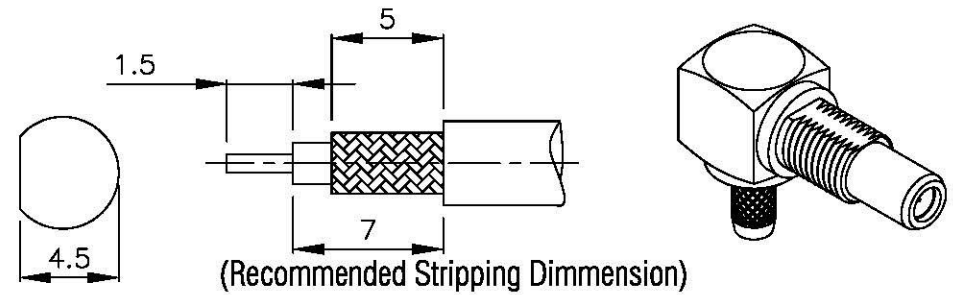
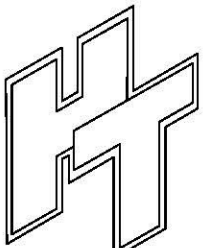



NO	DESCRIPTION	MATERIAL	Q'TY	FINISH	REMARK
1	BODY 1	BRASS	1	NICKEL	B-SMS1237-N
2	PIN	PH.BRONZE	1	GOLD	P-SMB0601-G
3	BODY 2	BRASS	1	NICKEL	B-SMS1242-N
4	INSULATION	TEFLON	1	TEFLON	I-0415T
5	RING	BRASS	1	NICKEL	R-0001-N
6	WASHER	BRASS	1	NICKEL	W-0009-N
7	NUT	BRASS	1	NICKEL	N-0005-N
8	WASHER	BRASS	1	NICKEL	W-0023-N
9	INSULATION	TEFLON	1	TEFLON	I-0136T



		DRAWN MARY DATE 96.11.15	DIMENSIONS ARE IN MILLIMETERS		REVISION	
	<small>www.allconnectors.de Tel.: 0049 711 709508 7274 Hilderstadt - Germany info@allconnectors.de Fax: 0049 711 709504 Kettnerstr. 20</small>	CHECKED 蘇志欣 DATE 96.11.15	UNLESS OTHERWISE SPECIFIED TOLERANCE		DESCRIPTION	ENGINEER
	TITLE SMS MALE CRIMP ANGLE FOR RG-316/U,174/U	Q.A. 蘇姿潔 DATE	0.5-5=±0.2 5-30=±0.4 30-120±0.6	120-315=±1 315-1000=±1.6 1000-2000=±2.4		
	PART NO. SMS-02LV1-TGN	APPROVAL 徐燦霖 DATE	SCALE 4:1	SIZE A		
	DRAWING NO. SMS-02LV1-TGN	REVISION DATE				