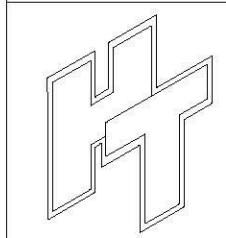
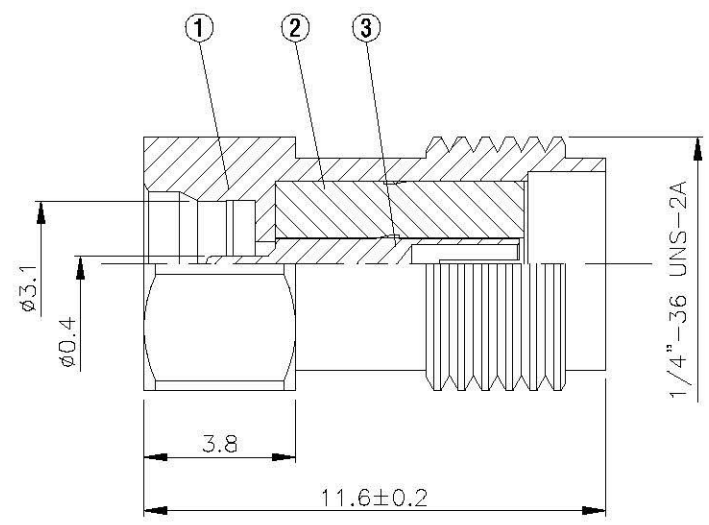
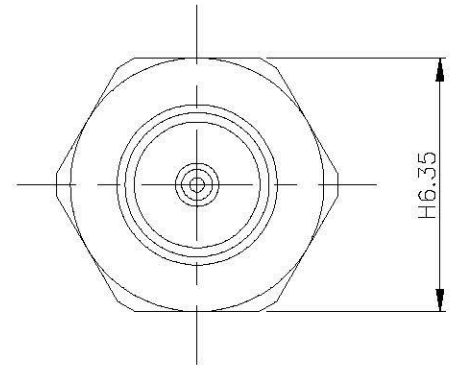
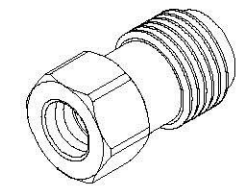


NO	DESCRIPTION	MATERIAL	Q'TY	FINISH	REMARK
1	BODY 1	SUS303	1	PASSIVATED	B-SMP1413-SUS
2	INSULATION 1	TEFLON	1	TEFLON	I-0430T
3	PIN	BE CU	1	GOLD	P-SMP0989-G



**All Connectors**  
 www.allconnectors.de  
 Tel: 0049 711 7000503  
 70794ilderstadt-Germany

mailto:allconnectors.de  
 Fax: 0049 711 7000504  
 Ketteimerstr. 25

**TITLE** SMA FEMALE - SMP MALE  
 ADAPTOR (LIMITED DETENT)

**PART NO.** SMP-30-TGSUS

**DRAWING NO.** SMP-30-TGSUS

**DRAWN** 蘇志欣 **DATE** 98.05.20

**CHECKED** 蘇姿潔 **DATE**

**Q.A.** 林妙樺 **DATE**

**APPROVAL** 徐燦霖 **DATE**

**REVISION** **DATE**

**DIMENSIONS ARE IN MILLIMETERS**

**UNLESS OTHERWISE SPECIFIED TOLERANCE**

0.5-5=±0.2	120-315=±1
5-30=±0.4	315-1000=±1.6
30-120=±0.6	1000-2000=±2.4

**SCALE** 4:1 **SIZE** A

REVISION	
DESCRIPTION	ENGINEER