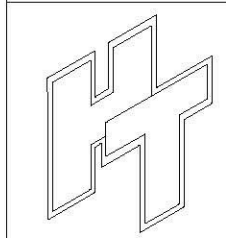
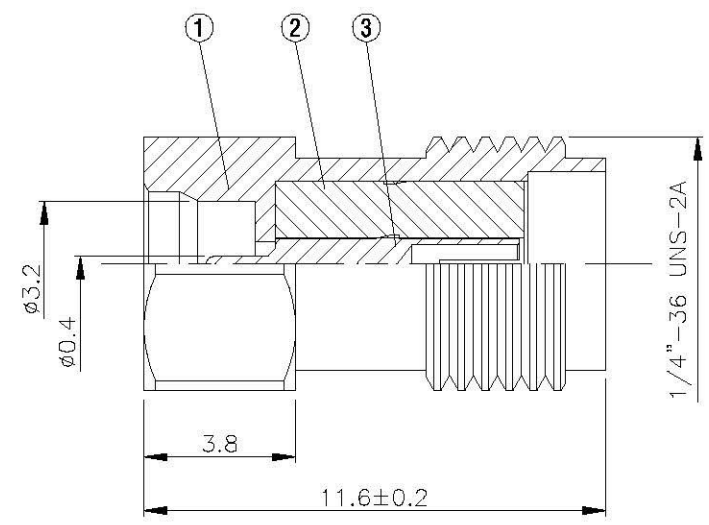
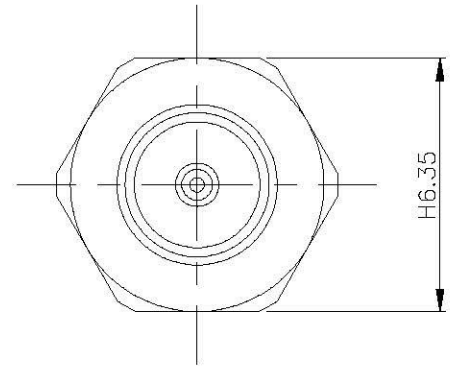
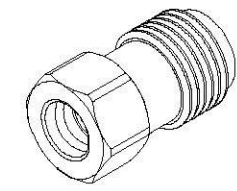


NO	DESCRIPTION	MATERIAL	Q'TY	FINISH	REMARK
1	BODY 1	SUS303	1	PASSIVATED	B-SMP-SUS
2	INSULATION 1	TEFLON	1	TEFLON	I-0430T
3	PIN	BE CU	1	GOLD	P-SMP0989-G



Allconnectors
 www.allconnectors.de info@allconnectors.de
 Tel.: 0049 724 7002004 Fax: 0049 724 7002004
 20761 Fildersdorf - Germany info@allconnectors.de

TITLE SMA FEMALE - SMP MALE ADAPTOR (SMOOTH BORE)

PART NO. SMP-30-TGSUS-2

DRAWING NO. SMP-30-TGSUS-2

DRAWN 蘇志欣 **DATE** 06.05.20

CHECKED 蘇姿潔 **DATE**

Q.A. 林妙樺 **DATE**

APPROVAL 徐燦霖 **DATE**

REVISION **DATE**

DIMENSIONS ARE IN MILLIMETERS

UNLESS OTHERWISE SPECIFIED TOLERANCE

0.5-5=±0.2	120-315=±1
5-30=±0.4	315-1000=±1.6
30-120=±0.6	1000-2000=±2.4

SCALE 4:1 **SIZE** A

REVISION	
DESCRIPTION	ENGINEER