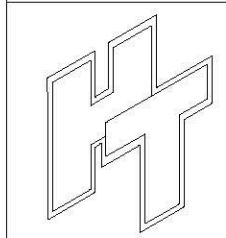
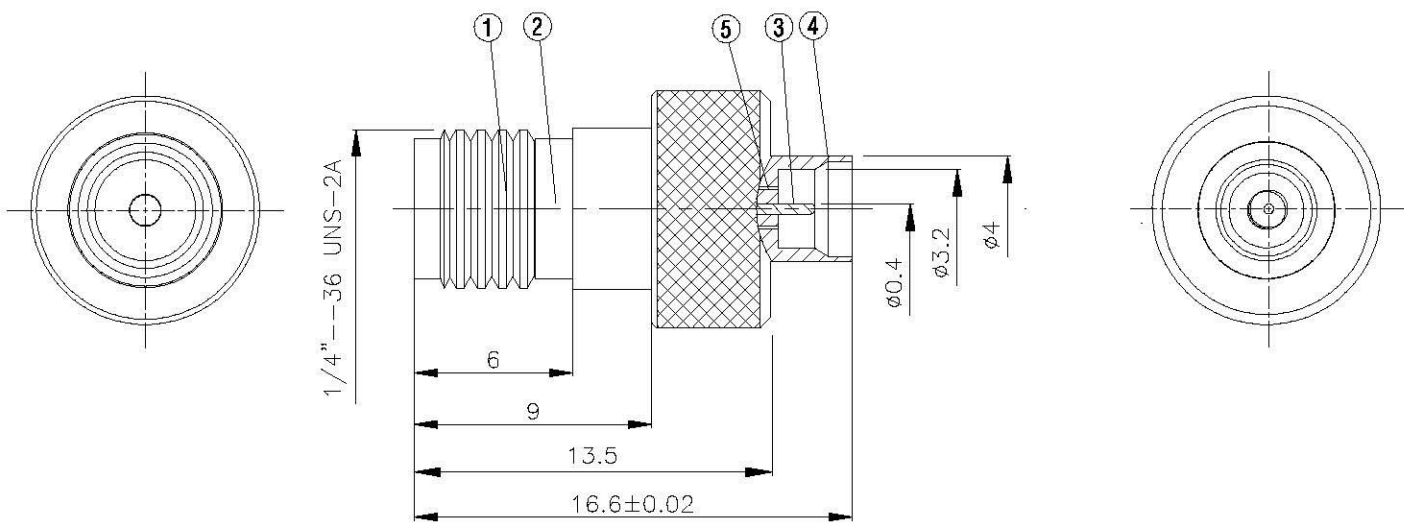
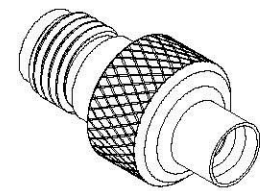


NO	DESCRIPTION	MATERIAL	Q'TY	FINISH	REMARK
1	BODY 1	BRASS	1	GOLD	B-SMA0632-G
2	INSULATION 1	TEFLON	1	TEFLON	I-0286T
3	PIN	BE CU	1	GOLD	P-SMP0952-G
4	BODY 2	BRASS	1	GOLD	B-SMP-G
5	INSULATION 2	TEFLON	1	TEFLON	I-0181T



All Connectors
 www.allconnectors.com
 Tel: +86 21 31001000
 300011 Shanghai, China

TITLE SMP FEMALE - SMP MALE ADAPTOR(SMOOTH BORE)
PART NO. SMP-29-TGG-2
DRAWING NO. SMP-29-TGG-2

DRAWN 蘇志欣 **DATE** 98.07.29
CHECKED 蘇姿潔 **DATE**
Q.A. 林妙樺 **DATE**
APPROVAL 徐燦霖 **DATE**
REVISION **DATE**

DIMENSIONS ARE IN MILLIMETERS
UNLESS OTHERWISE SPECIFIED TOLERANCE
 0.5-5=±0.2 120-315=±1
 5-30=±0.4 315-1000=±1.6
 30-120=±0.6 1000-2000=±2.4
SCALE 4:1 **SIZE** A

REVISION	
DESCRIPTION	ENGINEER