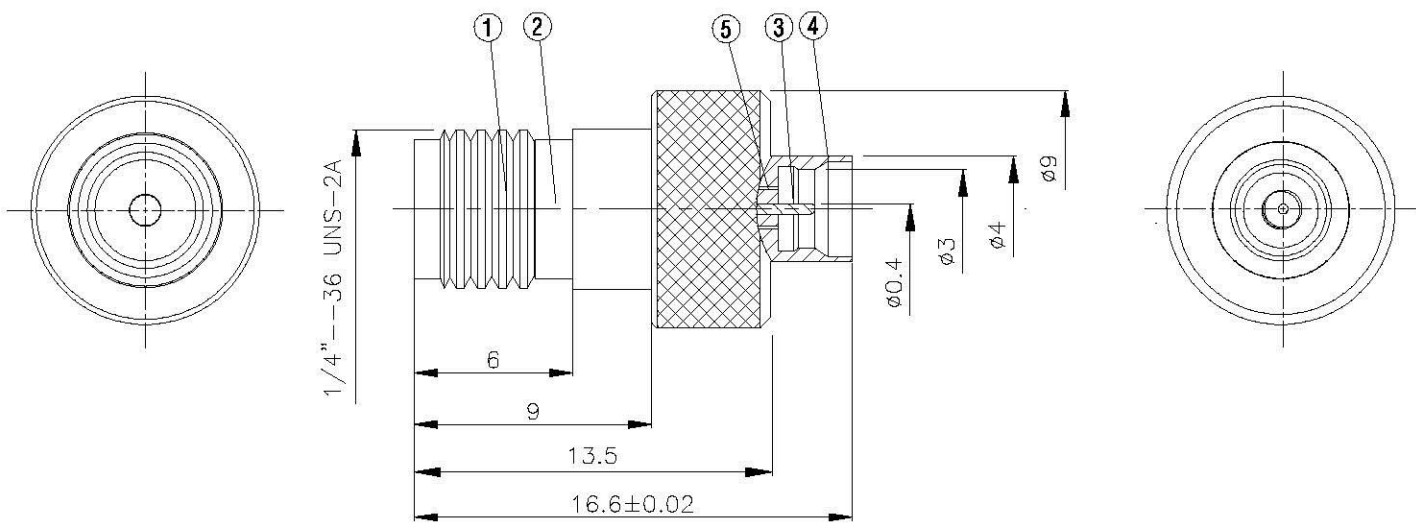
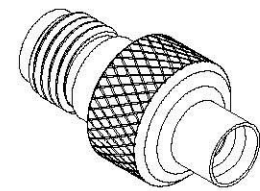
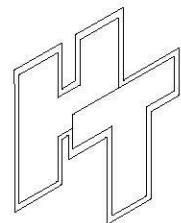


NO	DESCRIPTION	MATERIAL	Q'TY	FINISH	REMARK
1	BODY 1	BRASS	1	GOLD	B-SMA0632-G
2	INSULATION 1	TEFLON	1	TEFLON	I-0286T
3	PIN	BE CU	1	GOLD	P-SMP0952-G
4	BODY 2	BRASS	1	GOLD	B-SMP-G
5	INSULATION 2	TEFLON	1	TEFLON	I-0181T

All Connectors
 www.allconnectors.com
 Tel: 0019 711 7005003
 70754 Foshan, China

蘇志欣
 Tel: 0019 711 7005001
 Fax: 0019 711 7005001
 801185 Foshan, China

TITLE SMP FEMALE - SMP MALE ADAPTOR(FULL DETENT)
PART NO. SMP-29-TGG-2
DRAWING NO. SMP-29-TGG-2

DRAWN	蘇志欣	DATE	98.07.29
CHECKED	蘇姿潔	DATE	
Q.A.	林妙樺	DATE	
APPROVAL	徐燦霖	DATE	
REVISION		DATE	

DIMENSIONS ARE IN MILLIMETERS			
UNLESS OTHERWISE SPECIFIED TOLERANCE			
0.5-5=±0.2	120-315=±1		
5-30=±0.4	315-1000=±1.6		
30-120=±0.6	1000-2000=±2.4		
SCALE	4:1	SIZE	A

REVISION	
DESCRIPTION	ENGINEER