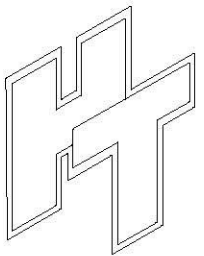
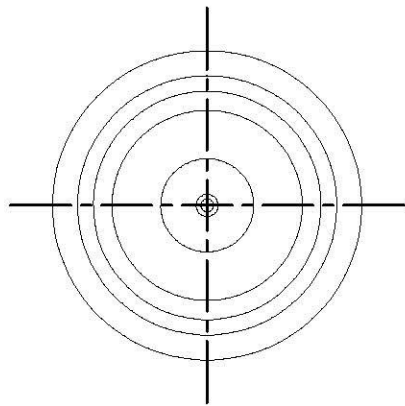
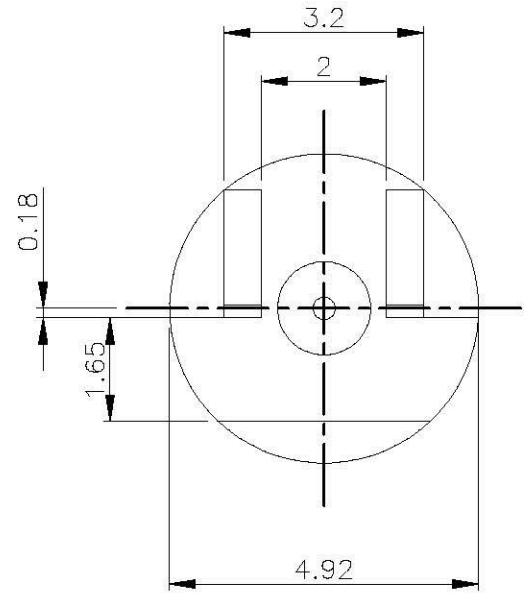
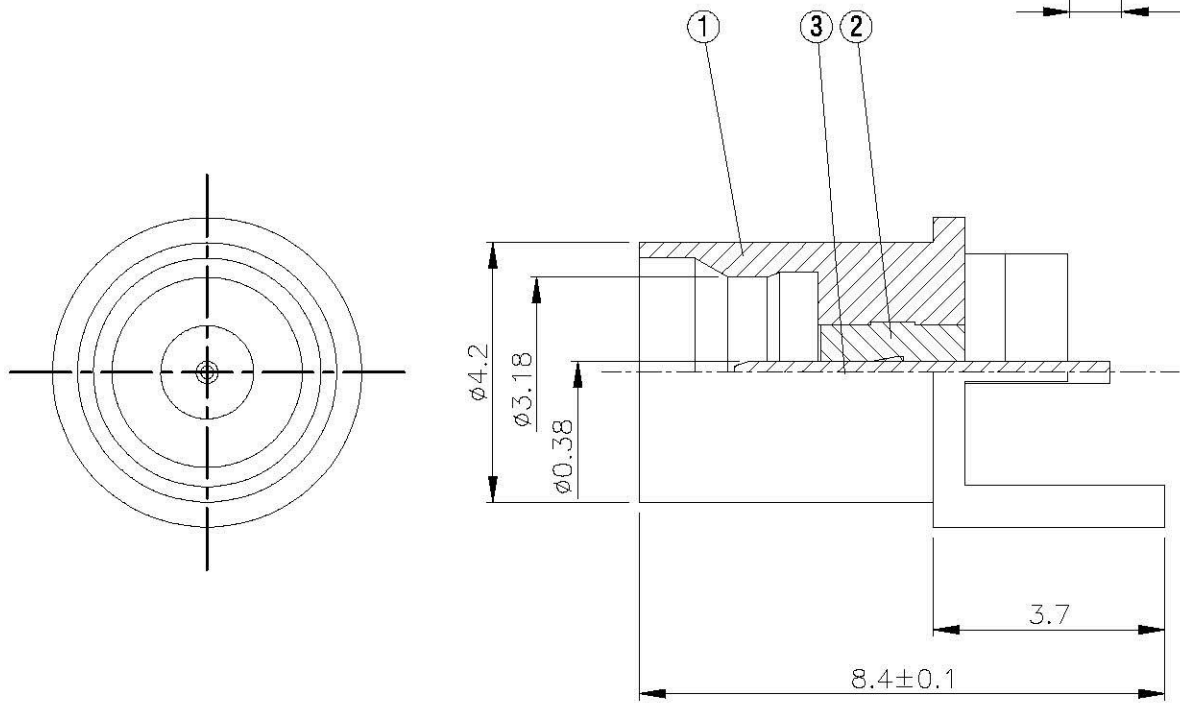
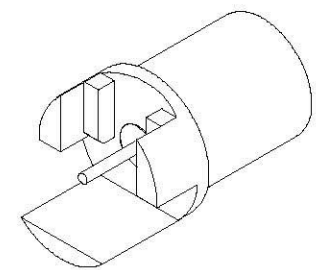
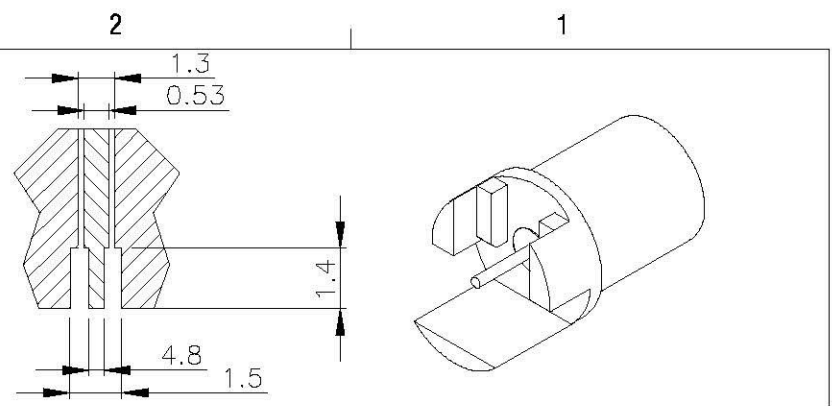


NO	DESCRIPTION	MATERIAL	Q'TY	FINISH	REMARK
1	BODY	BRASS	1	GOLD	B-SMP1821-G
2	INSULATION 1	PTFE	1	PTFE	I-0181T
3	PIN	PH.BRONZE	1	GOLD	P-SMP0245-G



All Connectors

www.allconnectors.de info@allconnectors.de
 +49 189 71 03 00 00 +49 189 71 03 00 00
 70794 Filzbergstr. 10 70794 Filzbergstr. 25

TITLE **SMP MALE EDGE MOUNT
SMOOTH BORE**

PART NO. **SMP-28-TGG**

DRAWING NO. **SMP-28-TGG**

DRAWN **蘇志欣**

DATE **102.07.18**

CHECKED **蘇姿潔**

DATE

Q.A. **莊千慧**

DATE

APPROVAL **徐燦霖**

DATE

REVISION

DATE

DIMENSIONS ARE IN MILLIMETERS

UNLESS OTHERWISE SPECIFIED
TOLERANCE

0.5-5=±0.2	120-315=±1
5-30=±0.4	315-1000=±1.6
30-120=±0.6	1000-2000=±2.4

SCALE **4:1** SIZE **A**

REVISION

DESCRIPTION	ENGINEER

4

3

2

1