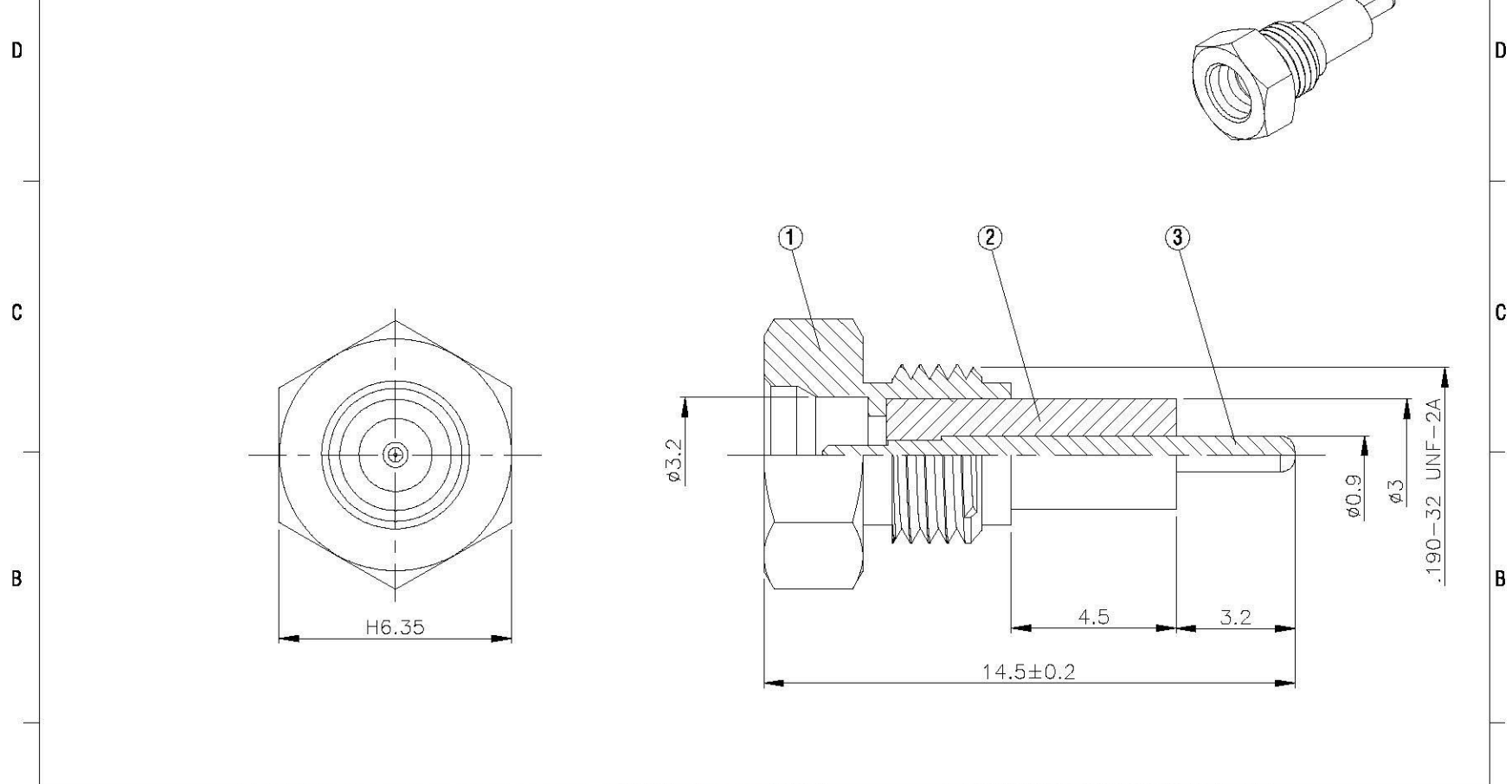


NO	DESCRIPTION	MATERIAL	Q'TY	FINISH	REMARK
1	BODY	SUS303	1	PASSIVATED	B-SMP-SUS
2	INSULATION	TEFLON	1	TEFLON	I-0234T
3	PIN	PH.BRONZE	1	GOLD	P-SMP0990-G



		DRAWN	蘇志欣	DATE	98.08.01	DIMENSIONS ARE IN MILLIMETERS		REVISION	
	<small>www.allconnectors.com.tw Tel: (886) 2-2720399 707045, Suao, Taiwan</small>	CHECKED	蘇姿潔	DATE				UNLESS OTHERWISE SPECIFIED TOLERANCE	
	<b>TITLE SMP MALE THREAD-IN (SMOOTH BORE)</b>	Q.A.	莊千慧	DATE		0.5-5=±0.2	120-315=±1		
	<b>PART NO. SMP-23-TGSUS-2</b>	APPROVAL	徐燦霖	DATE		5-30=±0.4	315-1000=±1.6		
<b>DRAWING NO. SMP-23-TGSUS-2</b>	REVISION		DATE		30-120±0.6	1000-2000=±2.4			
					SCALE	4:1	SIZE	A	