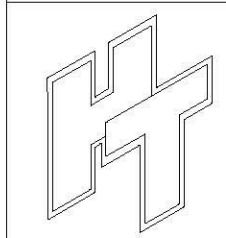
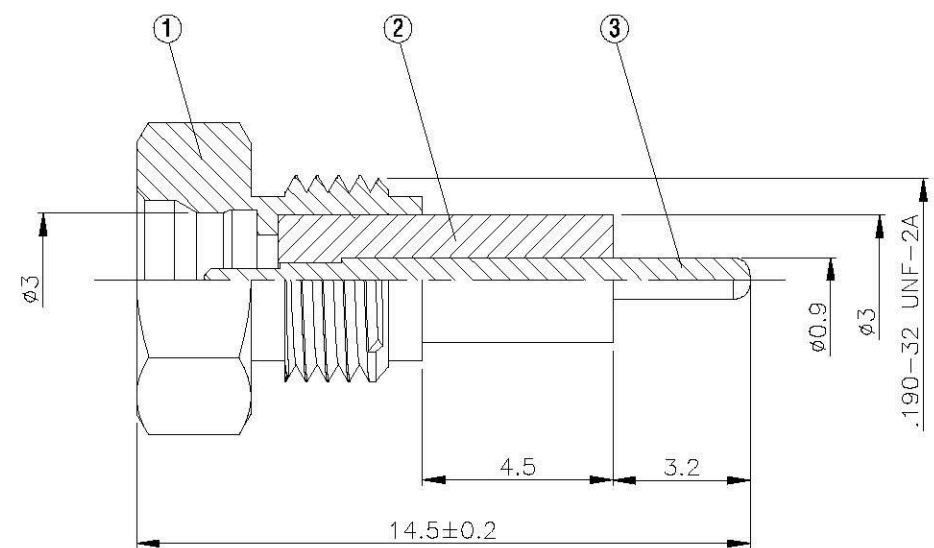
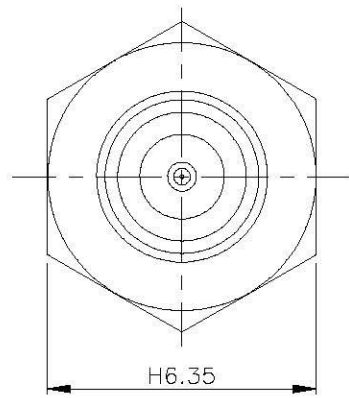
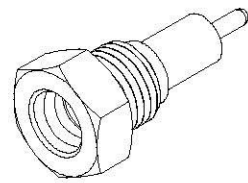


NO	DESCRIPTION	MATERIAL	Q'TY	FINISH	REMARK
1	BODY	SUS303	1	PASSIVATED	B-SMP-SUS
2	INSULATION	TEFLON	1	TEFLON	I-0234T
3	PIN	PH.BRONZE	1	GOLD	P-SMP0990-G



All Connectors
 www.allconnectors.com
 Tel: 0049 711 350284
 20261 | Leibnizstr. 26
 38106 | Hannover, Germany

IMMBA Innoconnectors
 Tel: 0049 711 350284
 38106 | Hannover, Germany

TITLE SMP MALE THREAD-IN (FULL DETENT)

PART NO. SMP-23-TGSUS-1

DRAWING NO. SMP-23-TGSUS-1

DRAWN 蘇志欣 **DATE** 98.08.01

CHECKED 蘇姿潔 **DATE**

Q.A. 莊千慧 **DATE**

APPROVAL 徐燦霖 **DATE**

REVISION **DATE**

DIMENSIONS ARE IN MILLIMETERS

UNLESS OTHERWISE SPECIFIED TOLERANCE

0.5-5=±0.2	120-315=±1
5-30=±0.4	315-1000=±1.6
30-120=±0.6	1000-2000=±2.4

SCALE 4:1 **SIZE A**

REVISION	
DESCRIPTION	ENGINEER