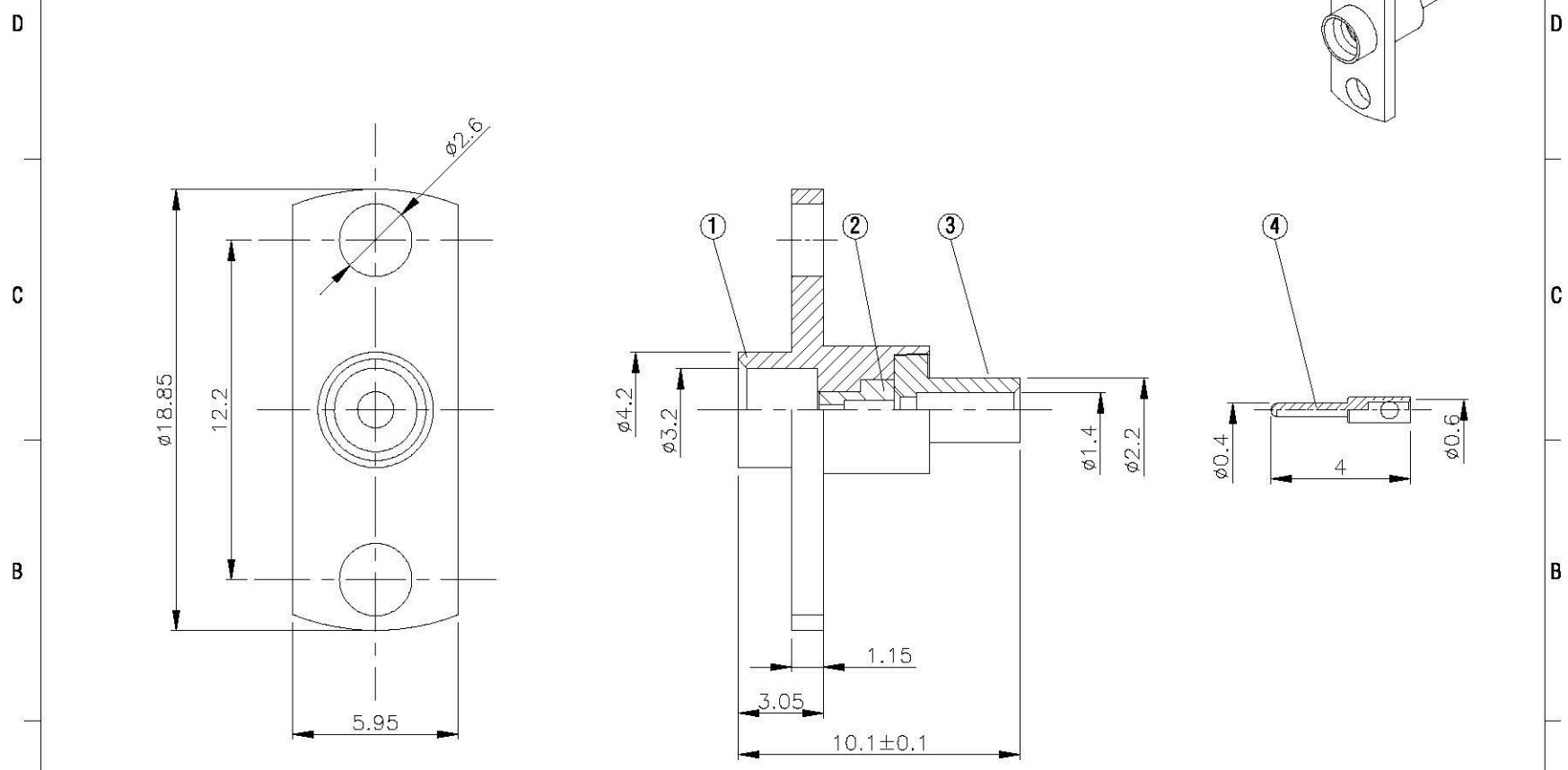
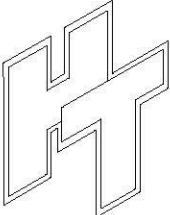


NO	DESCRIPTION	MATERIAL	Q'TY	FINISH	REMARK
1	BODY	SUS303	1	PASSIVATED	B-SMP-SUS
2	INSULATION	TEFLON	1	TEFLON	I-0033T
3	BODY	BRASS	1	GOLD	B-MCX0150-G
4	PIN	PH.BRONZE	1	GOLD	P-SMP0972-G



	<b>Allconnectors</b> <small>www.allconnectors.de        70794 Filderstadt - Germany</small>	<b>in England</b> <small>www.allconnectors.de        20090 Kattimerstr. 25</small>	<b>DRAWN</b> 蘇志欣 <b>DATE</b> 08.04.14	<b>DIMENSIONS ARE IN MILLIMETERS</b>			<b>REVISION</b>	
			<b>CHECKED</b> 蘇姿潔 <b>DATE</b>	<b>UNLESS OTHERWISE SPECIFIED TOLERANCE</b>			<b>DESCRIPTION</b>	<b>ENGINEER</b>
	<b>TITLE</b> SMP FEMALE FLANGE MOUNT UT-47 (.047)(SMOOTH BORE)		<b>Q.A.</b> 林妙樺 <b>DATE</b>	0.5-5 = $\pm 0.2$	120-315 = $\pm 1$			
	<b>PART NO.</b> SMP-22V3-TGSUS-3		<b>APPROVAL</b> 徐燦霖 <b>DATE</b>	5-30 = $\pm 0.4$	315-1000 = $\pm 1.6$			
	<b>DRAWING NO.</b> SMP-22V3-TGSUS-3		<b>REVISION</b>	<b>DATE</b>	30-120 = $\pm 0.6$	1000-2000 = $\pm 2.4$		
				<b>SCALE</b> 4:1	<b>SIZE</b> A			

4 3 2 1