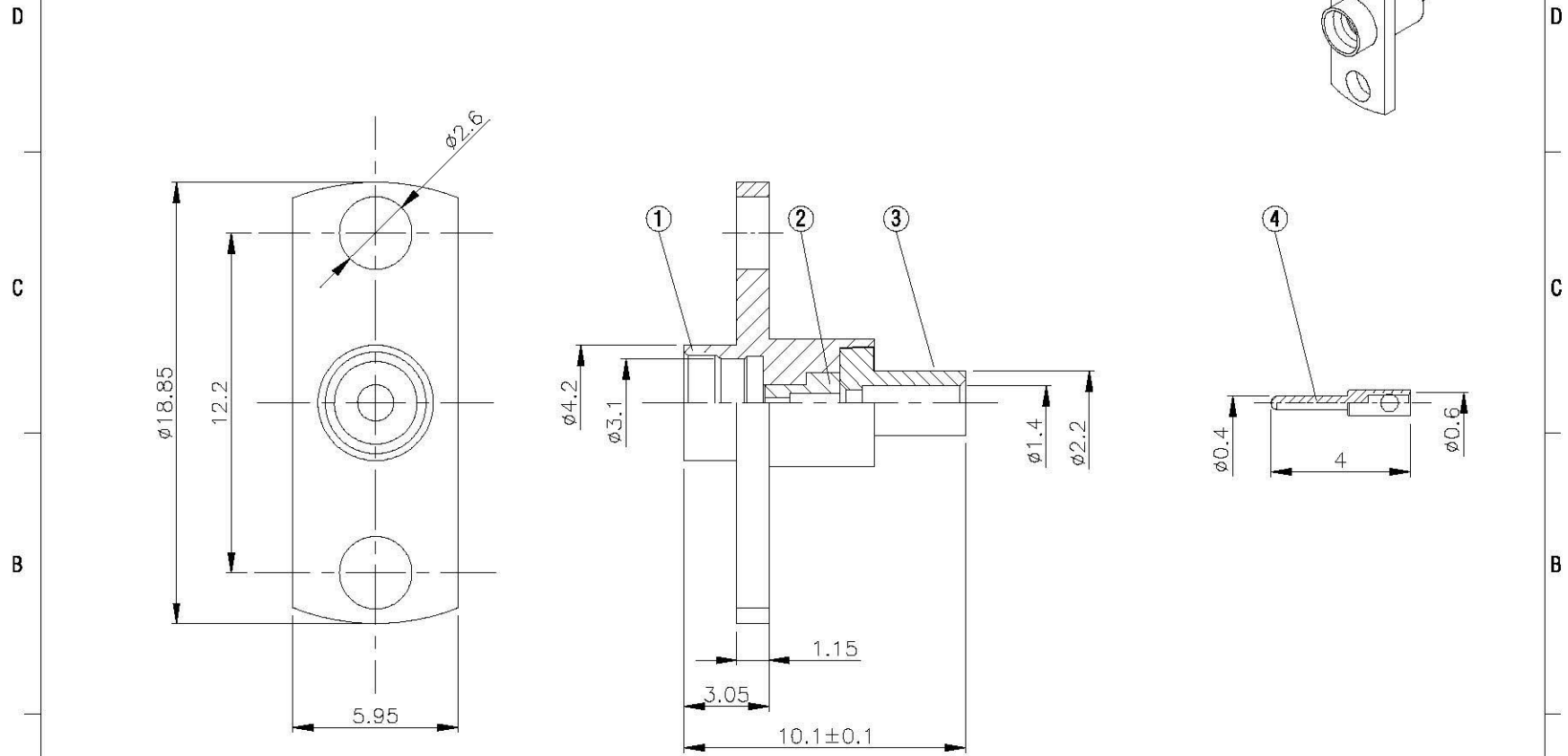
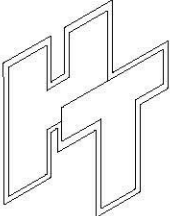



NO	DESCRIPTION	MATERIAL	Q'TY	FINISH	REMARK
1	BODY	SUS303	1	PASSIVATED	B-SMP-SUS
2	INSULATION	TEFLON	1	TEFLON	I-0033T
3	BODY	BRASS	1	GOLD	B-MCX0150-G
4	PIN	PH.BRONZE	1	GOLD	P-SMP0972-G



		DRAWN	蘇志欣	DATE	98.04.14	DIMENSIONS ARE IN MILLIMETERS			REVISION	
	<small>www.allconnectors.de Tel: +49 4104 211-24000 20151 Hildesheim - Germany</small>	CHECKED	蘇姿潔	DATE		UNLESS OTHERWISE SPECIFIED TOLERANCE			DESCRIPTION	ENGINEER
	<small>info@allconnectors.de Fax: +49 4104 211-24004 Kornmarkt 25</small>	Q.A.	林妙樺	DATE		0.5-5 = ± 0.2	120-315 = ± 1			
	TITLE SMP FEMALE FLANGE MOUNT UT-47 (.047)(LIMITED DETENT)	APPROVAL	徐燦霖	DATE		5-30 = ± 0.4	315-1000 = ± 1.6			
	PART NO. SMP-22V3-TGSUS-2	REVISION		DATE		30-120 = ± 0.6	1000-2000 = ± 2.4			
DRAWING NO. SMP-22V3-TGSUS-2					SCALE	4:1	SIZE	A		