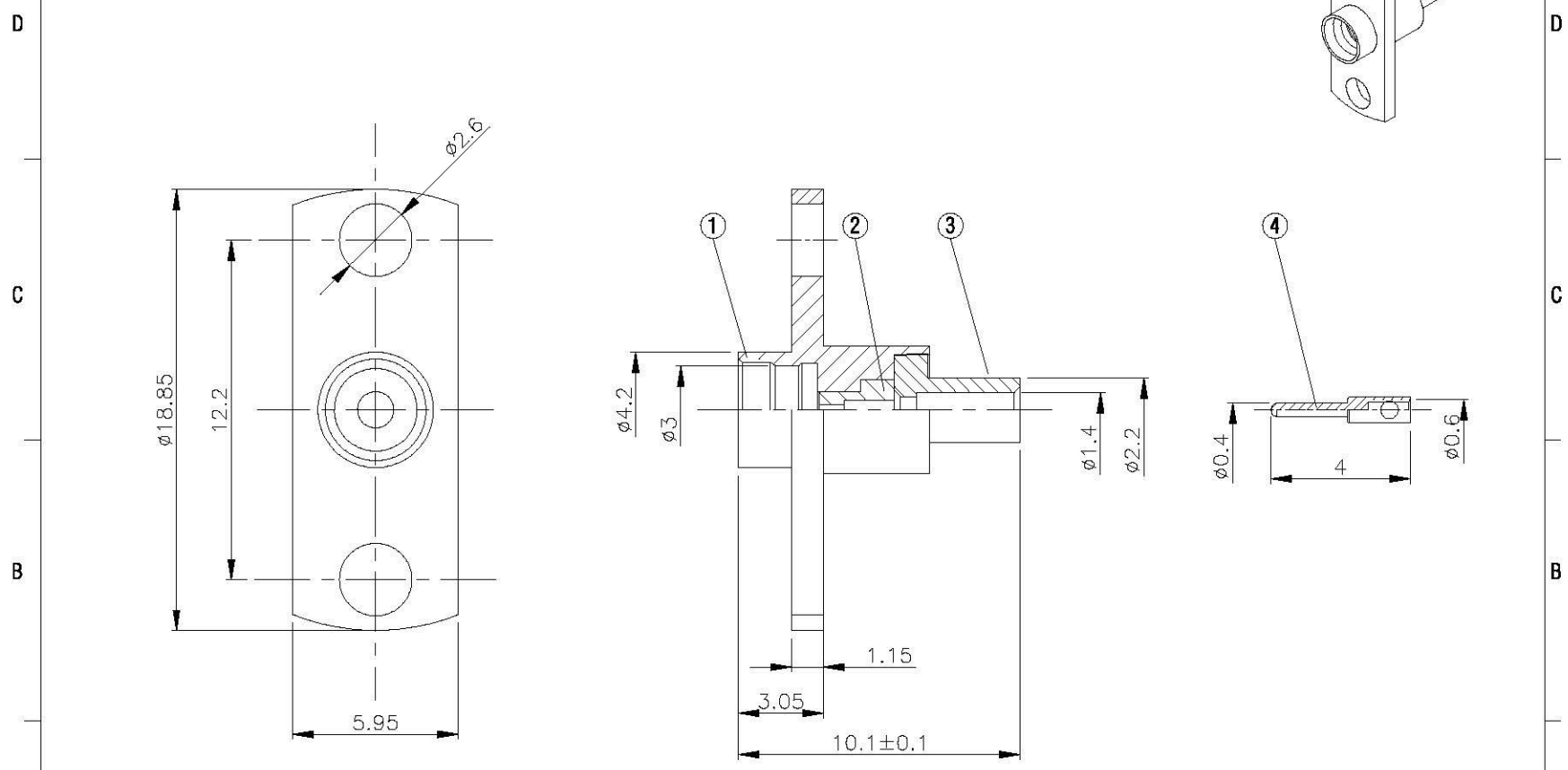
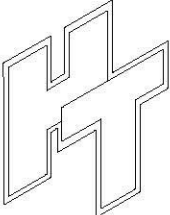


NO	DESCRIPTION	MATERIAL	Q'TY	FINISH	REMARK
1	BODY	SUS303	1	PASSIVATED	B-SMP-SUS
2	INSULATION	TEFLON	1	TEFLON	I-0033T
3	BODY	BRASS	1	GOLD	B-MCX0150-G
4	PIN	PH.BRONZE	1	GOLD	P-SMP0972-G



	Allconnectors <small>www.allconnectors.de Tel.: 0049 714 7000201 0049 714 7000204</small>	DRAWN 蘇志欣 DATE 08.04.14	DIMENSIONS ARE IN MILLIMETERS		REVISION	
	<small>Info@allconnectors.de Fax: 0049 714 7000204 info@allconnectors.de</small>	CHECKED 蘇姿潔 DATE	UNLESS OTHERWISE SPECIFIED TOLERANCE		DESCRIPTION	ENGINEER
	TITLE SMP FEMALE FLANGE MOUNT UT-47 (.047)(FULL DETENT)	Q.A. 林妙樺 DATE	$0.5-5 = \pm 0.2$	$120-315 = \pm 1$		
	PART NO. SMP-22V3-TGSUS-1	APPROVAL 徐燦霖 DATE	$5-30 = \pm 0.4$	$315-1000 = \pm 1.6$		
	DRAWING NO. SMP-22V3-TGSUS-1	REVISION	DATE	$30-120 = \pm 0.6$	$1000-2000 = \pm 2.4$	
			SCALE 4:1	SIZE A		