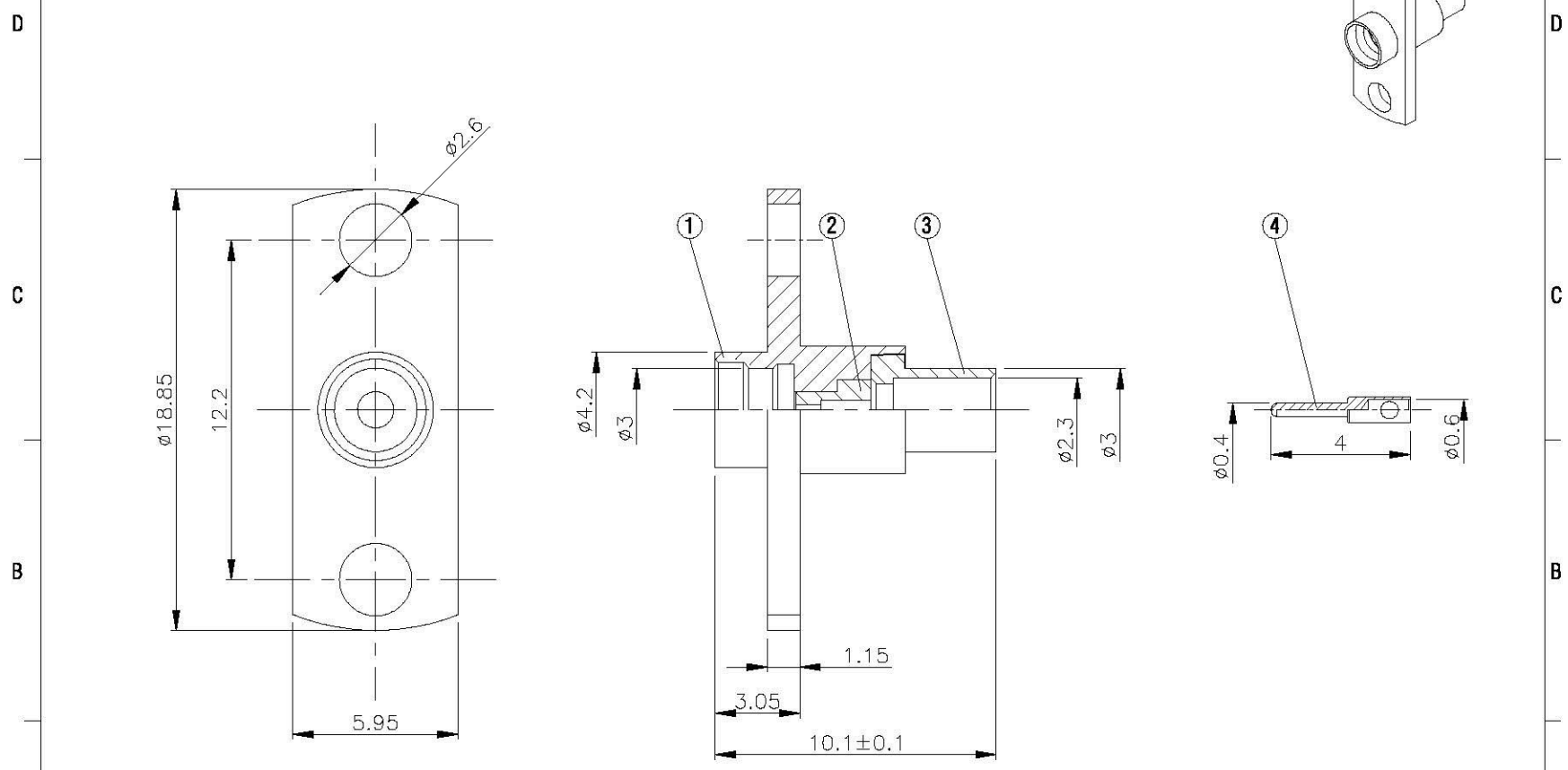


NO	DESCRIPTION	MATERIAL	Q'TY	FINISH	REMARK
1	BODY	SUS303	1	PASSIVATED	B-SMP-SUS
2	INSULATION	TEFLON	1	TEFLON	I-0033T
3	BODY	BRASS	1	GOLD	B-MCX0149-G
4	PIN	PH.BRONZE	1	GOLD	P-SMP0971-G



	All Connectors <small>www.allconnectors.com info@allconnectors.com Tel: +0489 722 7009968 Fax: +0489 722 7009304 79034 Filzelsdorf, Germany Kellernstr. 25</small>		DRAWN	蘇志欣	DATE	08.04.14	DIMENSIONS ARE IN MILLIMETERS UNLESS OTHERWISE SPECIFIED TOLERANCE		REVISION	
	CHECKED	蘇姿潔	DATE		0.5-5 = ± 0.2	120-315 = ± 1			DESCRIPTION	ENGINEER
	Q.A.	林妙樺	DATE		5-30 = ± 0.4	315-1000 = ± 1.6				
	APPROVAL	徐燦霖	DATE		30-120 = ± 0.6	1000-2000 = ± 2.4				
	REVISION		DATE		SCALE	4:1	SIZE	A		
TITLE SMP FEMALE FLANGE MOUNT RG-405/U(.085")(LIMITED DETENT)		PART NO. SMP-22V1-TGSUS-2		DRAWING NO. SMP-22V1-TGSUS-2						