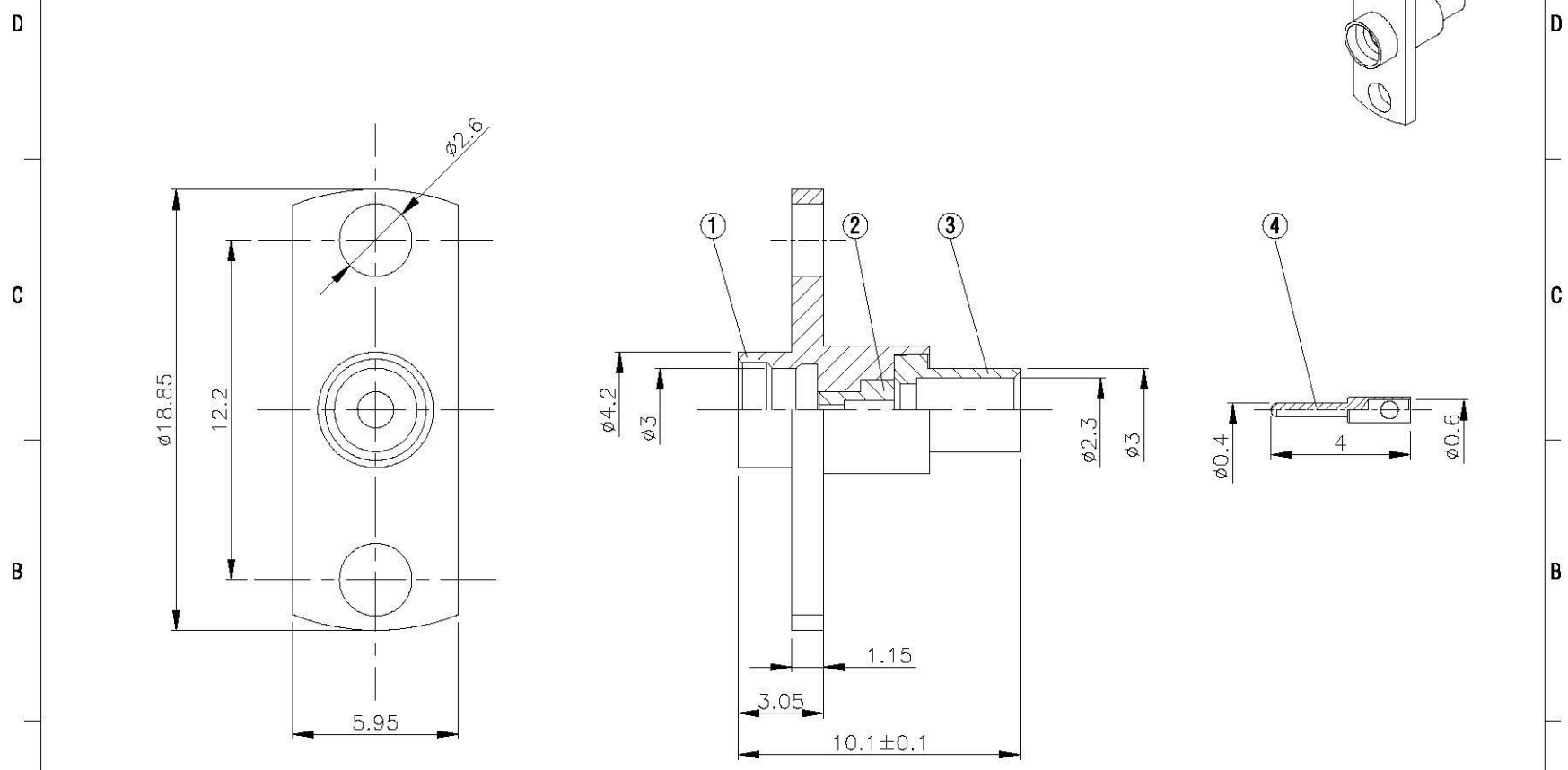
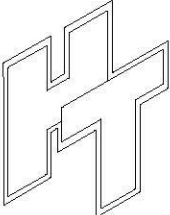






NO	DESCRIPTION	MATERIAL	Q'TY	FINISH	REMARK
1	BODY	SUS303	1	PASSIVATED	B-SMP-SUS
2	INSULATION	TEFLON	1	TEFLON	I-0033T
3	BODY	BRASS	1	GOLD	B-MCX0149-G
4	PIN	PH.BRONZE	1	GOLD	P-SMP0971-G



	<b>Allconnectors</b> <small>www.allconnectors.de          info@allconnectors.de          Tel: +0049 711 7002900          70739 Filderstadt - Germany</small>		DRAWN 	DATE <b>08.04.14</b>	DIMENSIONS ARE IN MILLIMETERS UNLESS OTHERWISE SPECIFIED TOLERANCE			REVISION	
	<b>TITLE SMP FEMALE FLANGE MOUNT          RG-405/U(.085" )(FULL DETENT)</b> <b>PART NO. SMP-22V1-TGSUS-1</b> <b>DRAWING NO. SMP-22V1-TGSUS-1</b>		CHECKED 	DATE				$0.5-5 = \pm 0.2$ $120-315 = \pm 1$ $5-30 = \pm 0.4$ $315-1000 = \pm 1.6$ $30-120 = \pm 0.6$ $1000-2000 = \pm 2.4$	DESCRIPTION
			Q.A. 	DATE					
			APPROVAL 	DATE					
			REVISION	DATE					
		SCALE <b>4:1</b>	SIZE <b>A</b>						