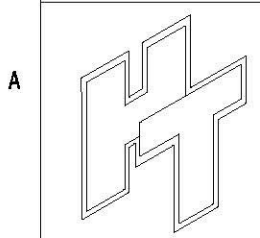
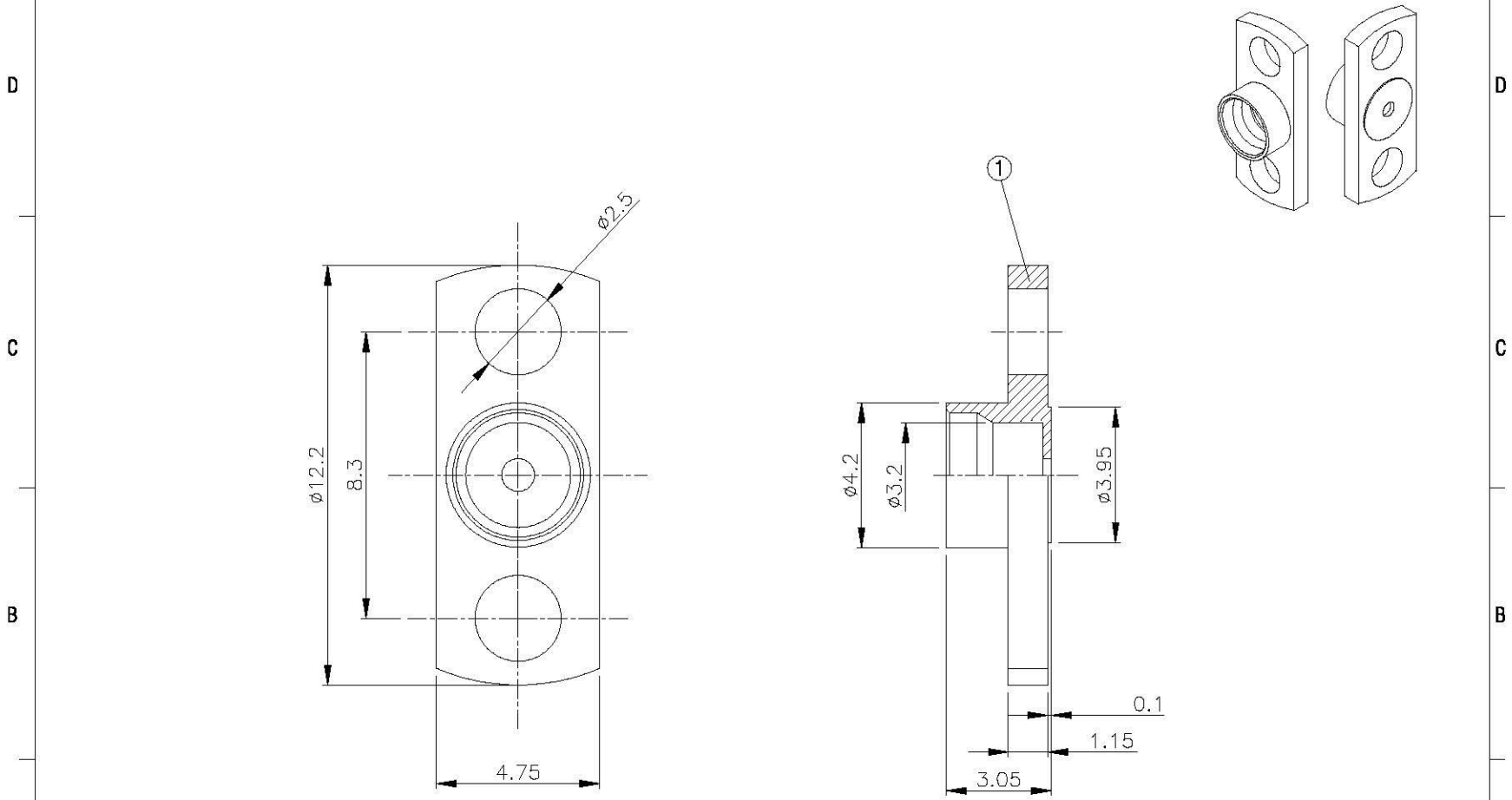


NO	DESCRIPTION	MATERIAL	Q'TY	FINISH	REMARK
1	BODY	SUS303	1	PASSIVATED	B-SMP-SUS



**All Connectors**  
 www.allconnectors.de  
 Tel: +86 21 3100618  
 Fax: +86 21 3100619  
 info@allconnectors.de  
 Fax: +86 21 3100619  
 ksz@allconnectors.de

**TITLE SMP MALE FLANGE MOUNT SHROUD (SMOOTH BORE)**

**PART NO. SMP-21V6-SUS**

**DRAWING NO. SMP-21V6-SUS**

DRAWN	蘇志欣	DATE	98.03.20
CHECKED	蘇姿潔	DATE	
Q.A.	莊千慧	DATE	
APPROVAL	徐燦霖	DATE	
REVISION		DATE	

DIMENSIONS ARE IN MILLIMETERS			
UNLESS OTHERWISE SPECIFIED TOLERANCE			
0.5-5=±0.2	120-315=±1		
5-30=±0.4	315-1000=±1.6		
30-120=±0.6	1000-2000=±2.4		
SCALE	4:1	SIZE	A

REVISION	
DESCRIPTION	ENGINEER

4

3

2

1

A

A