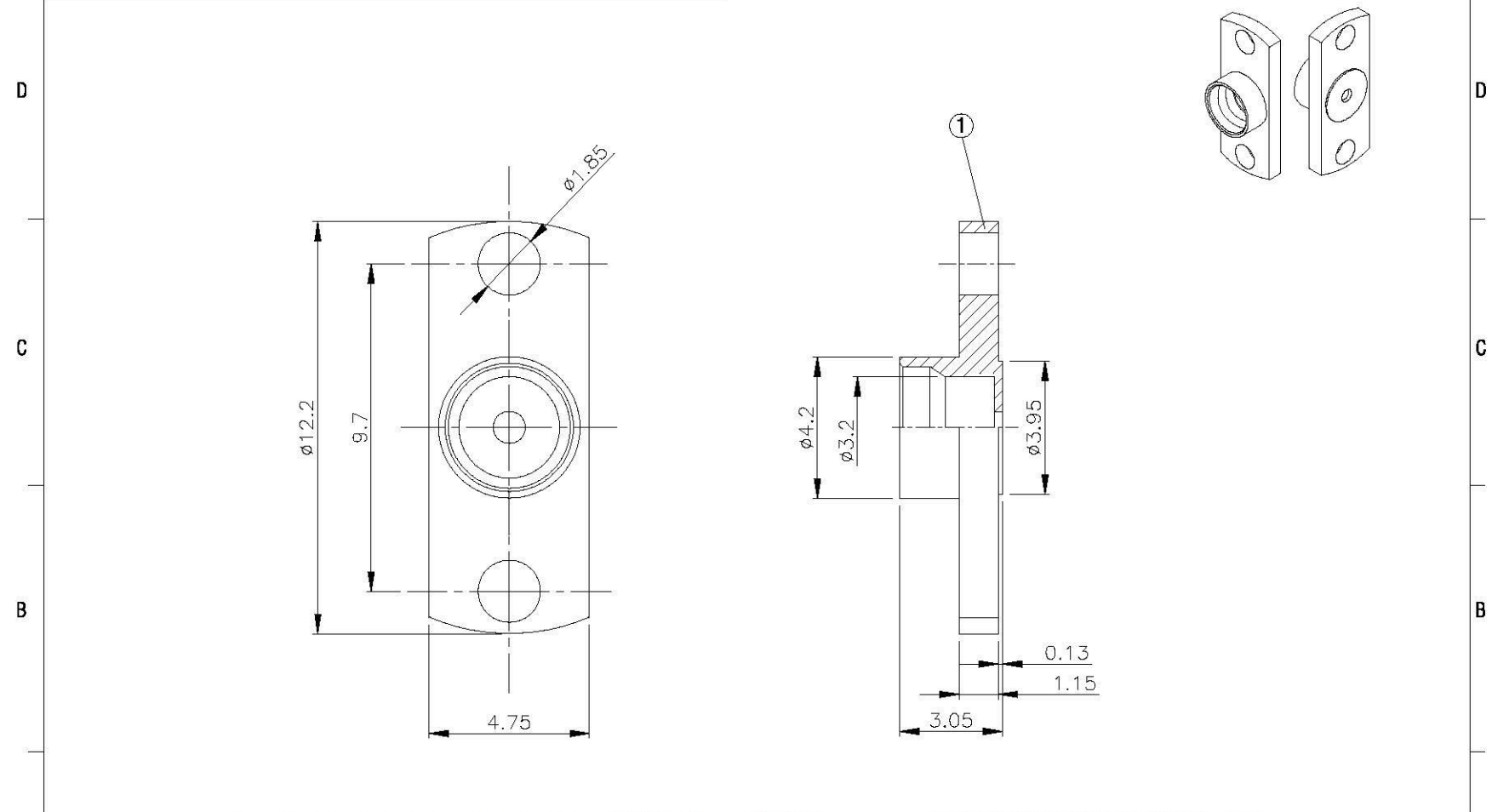
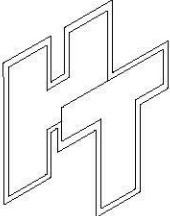



NO	DESCRIPTION	MATERIAL	Q'TY	FINISH	REMARK
1	BODY	SUS303	1	PASSIVATED	B-SMP-SUS



		DRAWN	蘇志欣	DATE	98.03.20	DIMENSIONS ARE IN MILLIMETERS			REVISION	
	<small>www.allconnectors.com TEL: 0049 711 750000 70360 - Falkenberg, Germany</small>	CHECKED	蘇姿潔	DATE		UNLESS OTHERWISE SPECIFIED TOLERANCE			DESCRIPTION	ENGINEER
	<b>TITLE</b> SMP MALE FLANGE MOUNT SHROUD (SMOOTH BORE)	Q.A.	莊千慧	DATE		0.5-5=±0.2	120-315=±1			
	<b>PART NO.</b> SMP-21V6-SUS-3	APPROVAL	徐燦霖	DATE		5-30=±0.4	315-1000=±1.6			
	<b>DRAWING NO.</b> SMP-21V6-SUS-3	REVISION		DATE		30-120±0.6	1000-2000=±2.4			
							SCALE	4:1	SIZE	A