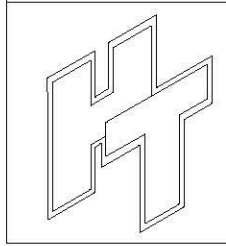
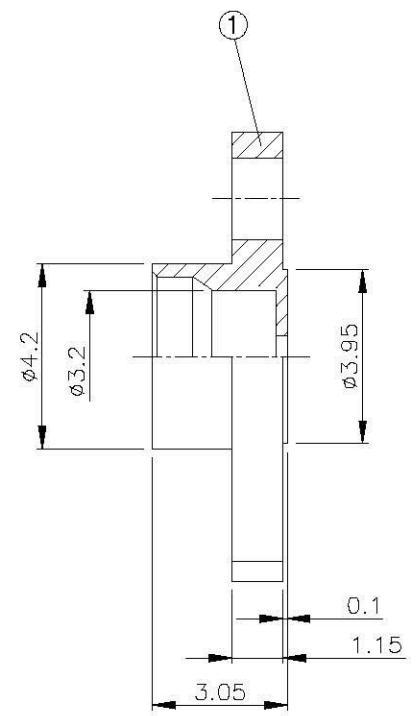
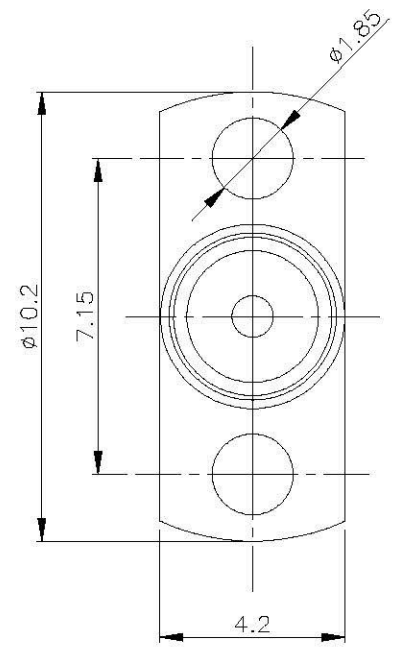
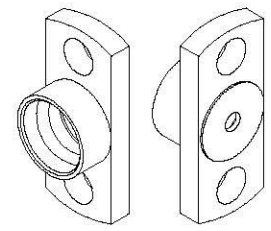


NO	DESCRIPTION	MATERIAL	Q'TY	FINISH	REMARK
1	BODY	SUS303	1	PASSIVATED	B-SMP-SUS



All Connectors
ALL CONNECTORS MANUFACTURING CO., LTD.
 110048 TEL: 090-900011 FAX: 090-900014
 110011 TEL: 090-900011 FAX: 090-900014

TITLE SMP MALE FLANGE MOUNT SHROUD (SMOOTH BORE)

PART NO. SMP-21V6-SUS-2

DRAWING NO. SMP-21V6-SUS-2

DRAWN 蘇志欣 **DATE** 98.03.20

CHECKED 蘇姿潔 **DATE**

Q.A. 莊千慧 **DATE**

APPROVAL 徐燦霖 **DATE**

REVISION **DATE**

DIMENSIONS ARE IN MILLIMETERS

UNLESS OTHERWISE SPECIFIED TOLERANCE

0.5-5=±0.2	120-315=±1
5-30=±0.4	315-1000=±1.6
30-120=±0.6	1000-2000=±2.4

SCALE 4:1 **SIZE** A

REVISION	
DESCRIPTION	ENGINEER