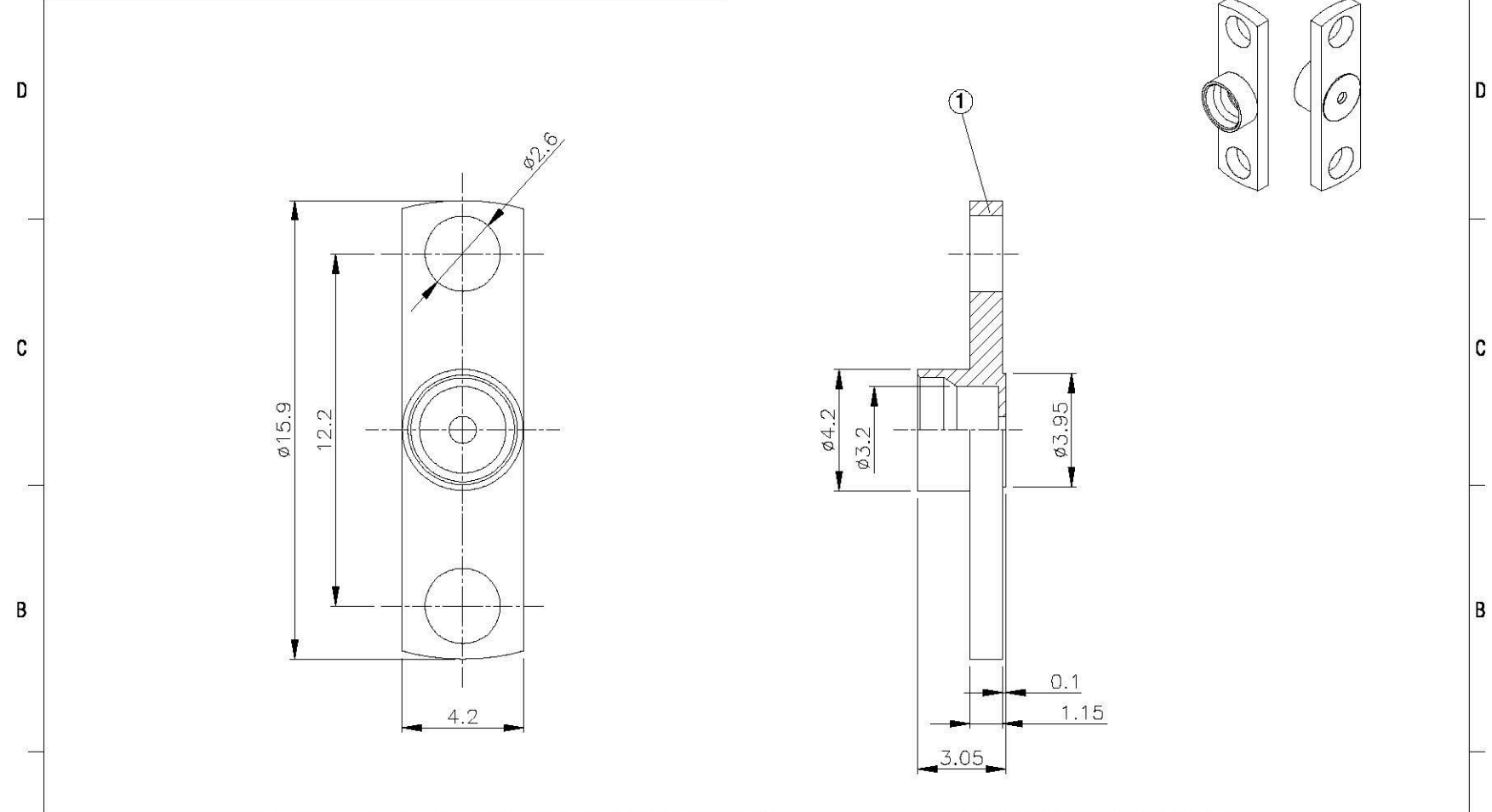
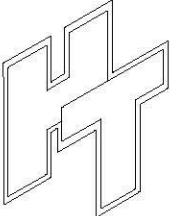



NO	DESCRIPTION	MATERIAL	Q'TY	FINISH	REMARK
1	BODY	SUS303	1	PASSIVATED	B-SMP-SUS



		DRAWN	蘇志欣	DATE	98.03.20	DIMENSIONS ARE IN MILLIMETERS			REVISION	
		CHECKED	蘇姿潔	DATE		UNLESS OTHERWISE SPECIFIED TOLERANCE			DESCRIPTION	ENGINEER
		TITLE	SMP MALE FLANGE MOUNT SHROUD (SMOOTH BORE)			0.5-5=±0.2	120-315=±1			
		PART NO.	SMP-21V6-SUS-1			5-30=±0.4	315-1000=±1.6			
		DRAWING NO.	SMP-21V6-SUS-1			30-120±0.6	1000-2000=±2.4			
		APPROVAL	徐燦霖	DATE		SCALE	4:1	SIZE	A	
		REVISION		DATE						