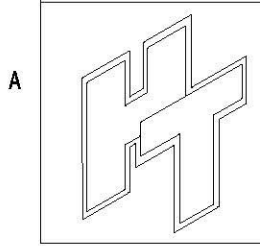
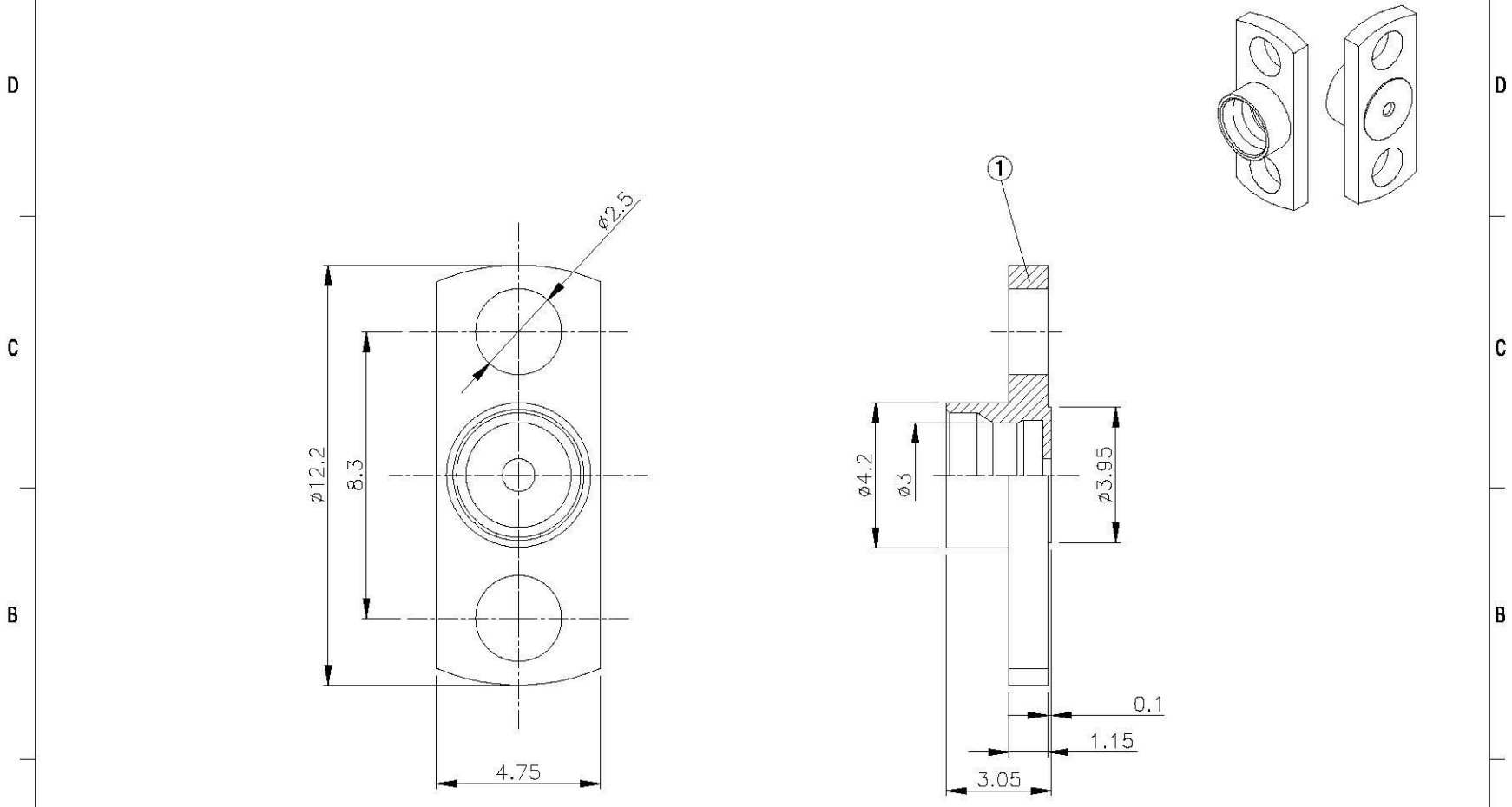


NO	DESCRIPTION	MATERIAL	Q'TY	FINISH	REMARK
1	BODY	SUS303	1	PASSIVATED	B-SMP-SUS



**All Connectors**  
 www.allconnectors.de info@allconnectors.de  
 Tel.: 0049 714 708904 Fax: 0049 714 708904  
 70794 Filzheim - Germany kette@allconnectors.de

**TITLE** SMP MALE FLANGE MOUNT SHROUD (FULL DETENT)  
**PART NO.** SMP-21V5-SUS  
**DRAWING NO.** SMP-21V5-SUS

**DRAWN** 蘇志欣 **DATE** 98.09.20  
**CHECKED** 蘇姿潔 **DATE**  
**Q.A.** 莊千慧 **DATE**  
**APPROVAL** 徐燦霖 **DATE**  
**REVISION** **DATE**

**DIMENSIONS ARE IN MILLIMETERS**

**UNLESS OTHERWISE SPECIFIED TOLERANCE**

0.5-5=±0.2	120-315=±1
5-30=±0.4	315-1000=±1.6
30-120=±0.6	1000-2000=±2.4

**SCALE** 4:1 **SIZE** A

REVISION	
DESCRIPTION	ENGINEER