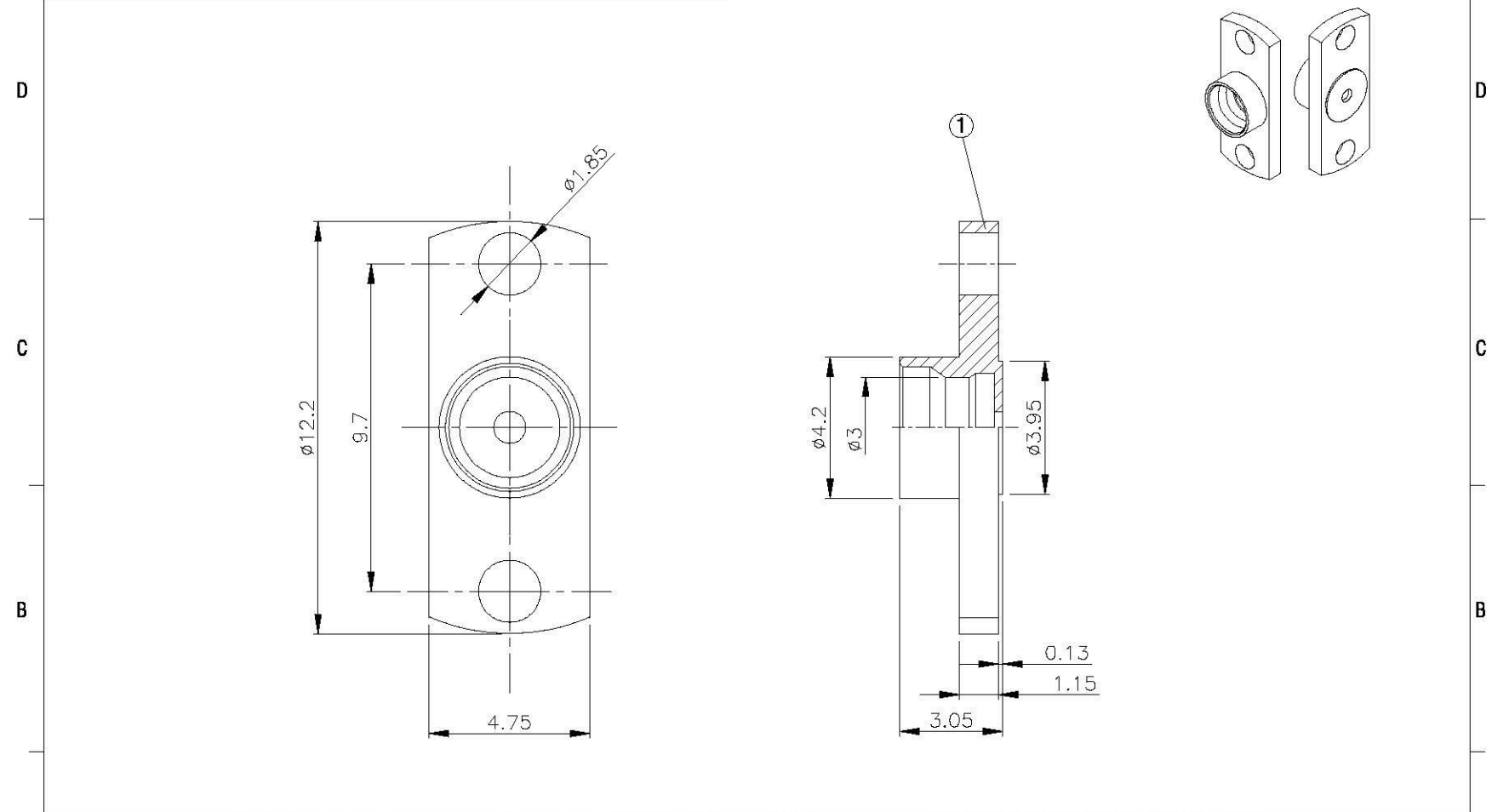
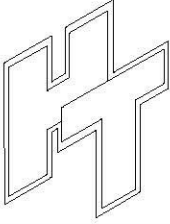



NO	DESCRIPTION	MATERIAL	Q'TY	FINISH	REMARK
1	BODY	SUS303	1	PASSIVATED	B-SMP-SUS



		DRAWN	蘇志欣	DATE	98.09.20	DIMENSIONS ARE IN MILLIMETERS				REVISION		
	<small>www.allconnectors.com Tel.: 0649 711 7009/803 90 Parkville Road, Kew, Victoria info@allconnectors.com Fax: 0649 711 7007/804 Kew, Victoria, Australia</small>	CHECKED	蘇姿潔	DATE		UNLESS OTHERWISE SPECIFIED TOLERANCE				DESCRIPTION	ENGINEER	
	TITLE	SMP MALE FLANGE MOUNT SHROUD (FULL DETENT)			Q.A.	莊千慧	DATE		0.5-5=±0.2	120-315=±1		
	PART NO.	SMP-21-SUS-3			APPROVAL	徐燦霖	DATE		5-30=±0.4	315-1000=±1.6		
	DRAWING NO.	SMP-21-SUS-3			REVISION		DATE		30-120±0.6	1000-2000=±2.4		
								SCALE	4:1	SIZE	A	