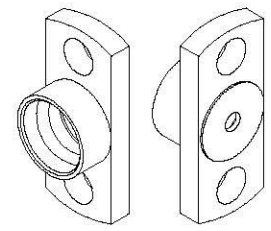
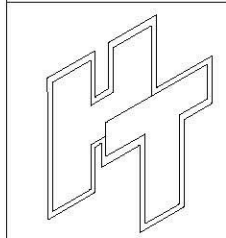
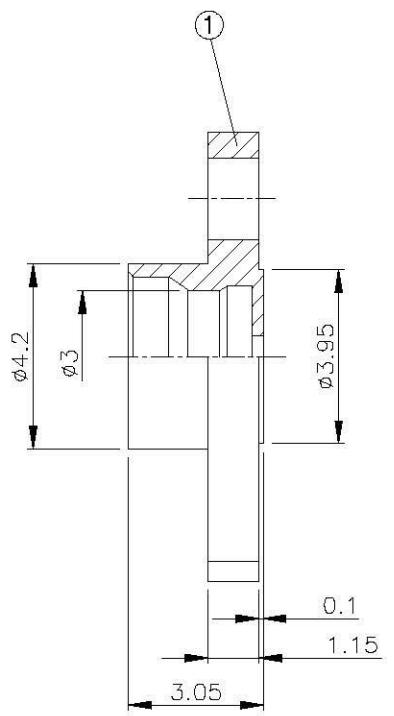
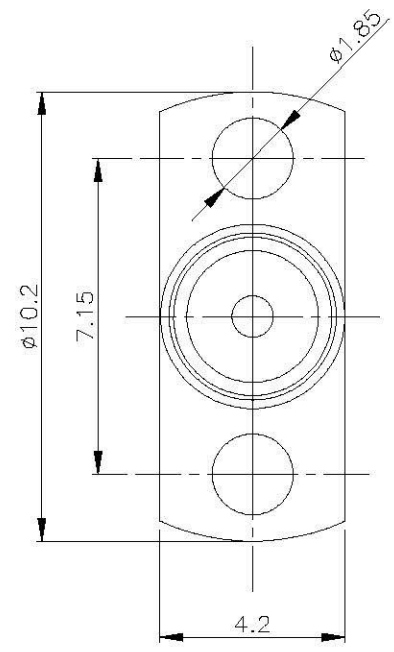


NO	DESCRIPTION	MATERIAL	Q'TY	FINISH	REMARK
1	BODY	SUS303	1	PASSIVATED	B-SMP-SUS



D  
C  
B  
A



**All Connectors**  
 專業連接器製造商  
 Professional connectors manufacturer

**TITLE** SMP MALE FLANGE MOUNT SHROUD (FULL DETENT)

**PART NO.** SMP-21-SUS-2

**DRAWING NO.** SMP-21-SUS-2

**DRAWN** 蘇志欣 **DATE** 98.03.20

**CHECKED** 蘇姿潔 **DATE**

**Q.A.** 莊千慧 **DATE**

**APPROVAL** 徐燦霖 **DATE**

**REVISION** **DATE**

**DIMENSIONS ARE IN MILLIMETERS**

**UNLESS OTHERWISE SPECIFIED TOLERANCE**

0.5-5=±0.2	120-315=±1
5-30=±0.4	315-1000=±1.6
30-120=±0.6	1000-2000=±2.4

**SCALE** 4:1 **SIZE** A

REVISION	
DESCRIPTION	ENGINEER

4 3 2 1