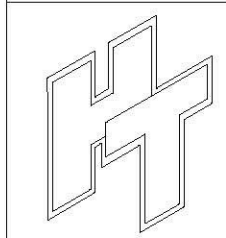
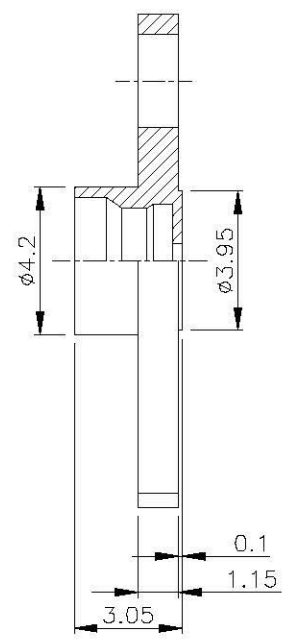
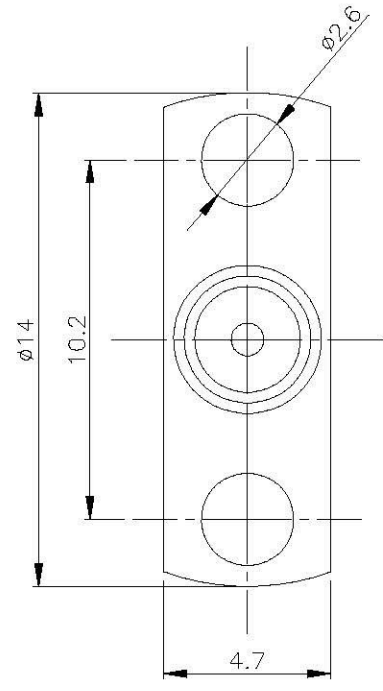
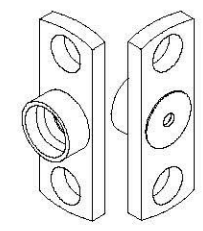


NO	DESCRIPTION	MATERIAL	Q'TY	FINISH	REMARK
1	BODY	SUS303	1	PASSIVATED	B-SMP1395-SUS



Allconnectors
Universal Connector Manufacturer
 T: +86 20 211 7099615
 202204 Fildes Road - Germany

Engineering & Manufacturing
 P: +49 44 291 7999994
 Kettelestr. 25

TITLE SMP MALE FLANGE MOUNT SHROUD LIMITED DETENTE

PART NO. SMP-21-SUS-4

DRAWING NO. SMP-21-SUS-4

DRAWN 蘇志欣 **DATE** 98.03.20

CHECKED 蘇姿潔 **DATE**

Q.A. 莊千慧 **DATE**

APPROVAL 徐燦霖 **DATE**

REVISION **DATE**

DIMENSIONS ARE IN MILLIMETERS

UNLESS OTHERWISE SPECIFIED TOLERANCE

0.5-5=±0.2	120-315=±1
5-30=±0.4	315-1000=±1.6
30-120±0.6	1000-2000=±2.4

SCALE 4:1 **SIZE** A

REVISION	
DESCRIPTION	ENGINEER

4 3 2 1

D

C

B

A

4 3 2 1