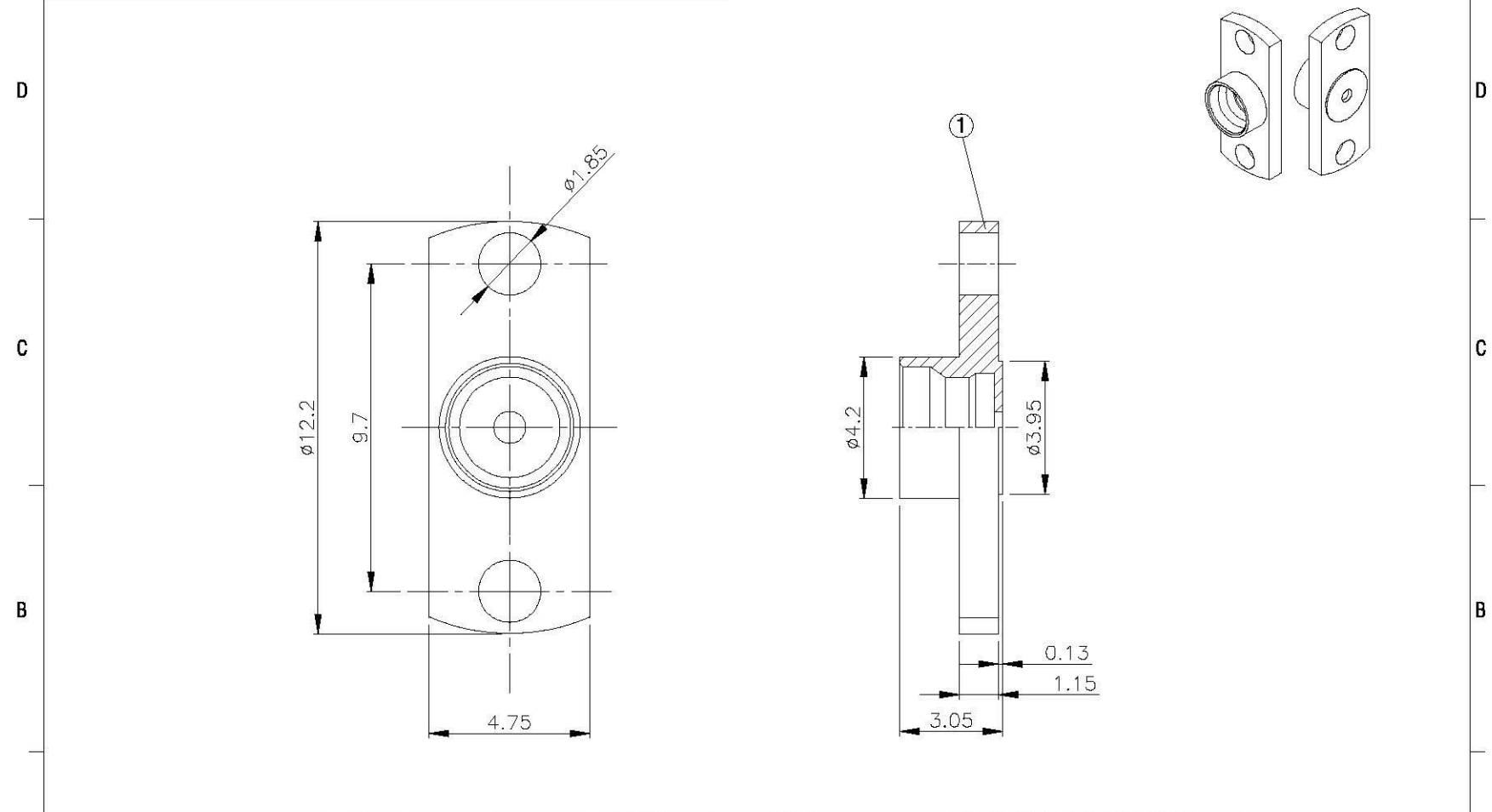
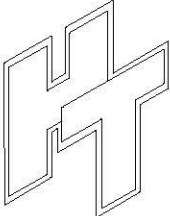



NO	DESCRIPTION	MATERIAL	Q'TY	FINISH	REMARK
1	BODY	SUS303	1	PASSIVATED	B-SMP1394-SUS



	 <small>www.allconnectors.de Info: 0049 91 3200010 Allconnectors - Germany</small>	DRAWN	蘇志欣	DATE	98.09.20	DIMENSIONS ARE IN MILLIMETERS			REVISION	
		CHECKED	蘇姿潔	DATE		UNLESS OTHERWISE SPECIFIED TOLERANCE			DESCRIPTION	ENGINEER
	TITLE	SMP MALE FLANGE MOUNT SHROUD LIMITED DETENTE		Q.A.	莊千慧	DATE	0.5-5=±0.2	120-315=±1		
	PART NO.	SMP-21-SUS-3		APPROVAL	徐燦霖	DATE	5-30=±0.4	315-1000=±1.6		
	DRAWING NO.	SMP-21-SUS-3		REVISION		DATE	30-120±0.6	1000-2000=±2.4		
						SCALE	4:1	SIZE	A	