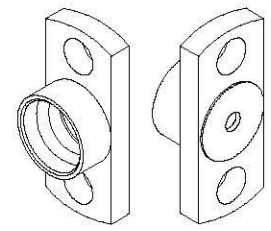
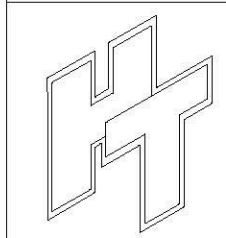
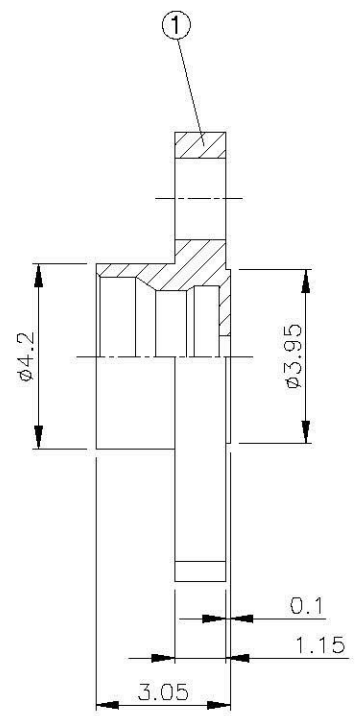
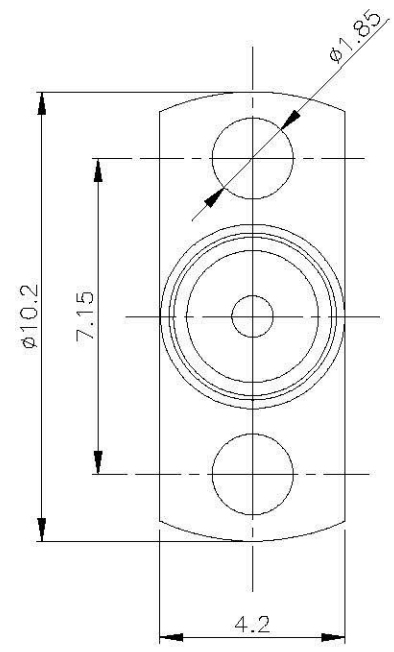


NO	DESCRIPTION	MATERIAL	Q'TY	FINISH	REMARK
1	BODY	SUS303	1	PASSIVATED	B-SMP1393-SUS



D
C
B
A

D
C
B
A



Allconnectors
 www.allconnectors.com
 Tel: 0049 711 7099303
 E-Mail: info@allconnectors.com

Integras Technology
 Tel: 0049 711 7099304
 E-Mail: info@integras.com

TITLE SMP MALE FLANGE MOUNT SHROUD LIMITED DETENTE
PART NO. SMP-21-SUS-2
DRAWING NO. SMP-21-SUS-2

DRAWN 蘇志欣 **DATE** 98.03.20
CHECKED 蘇姿潔 **DATE**
Q.A. 莊千慧 **DATE**
APPROVAL 徐燦霖 **DATE**
REVISION **DATE**

DIMENSIONS ARE IN MILLIMETERS

UNLESS OTHERWISE SPECIFIED TOLERANCE

0.5-5=±0.2	120-315=±1
5-30=±0.4	315-1000=±1.6
30-120=±0.6	1000-2000=±2.4

SCALE 4:1 **SIZE** A

REVISION	
DESCRIPTION	ENGINEER

4 3 2 1