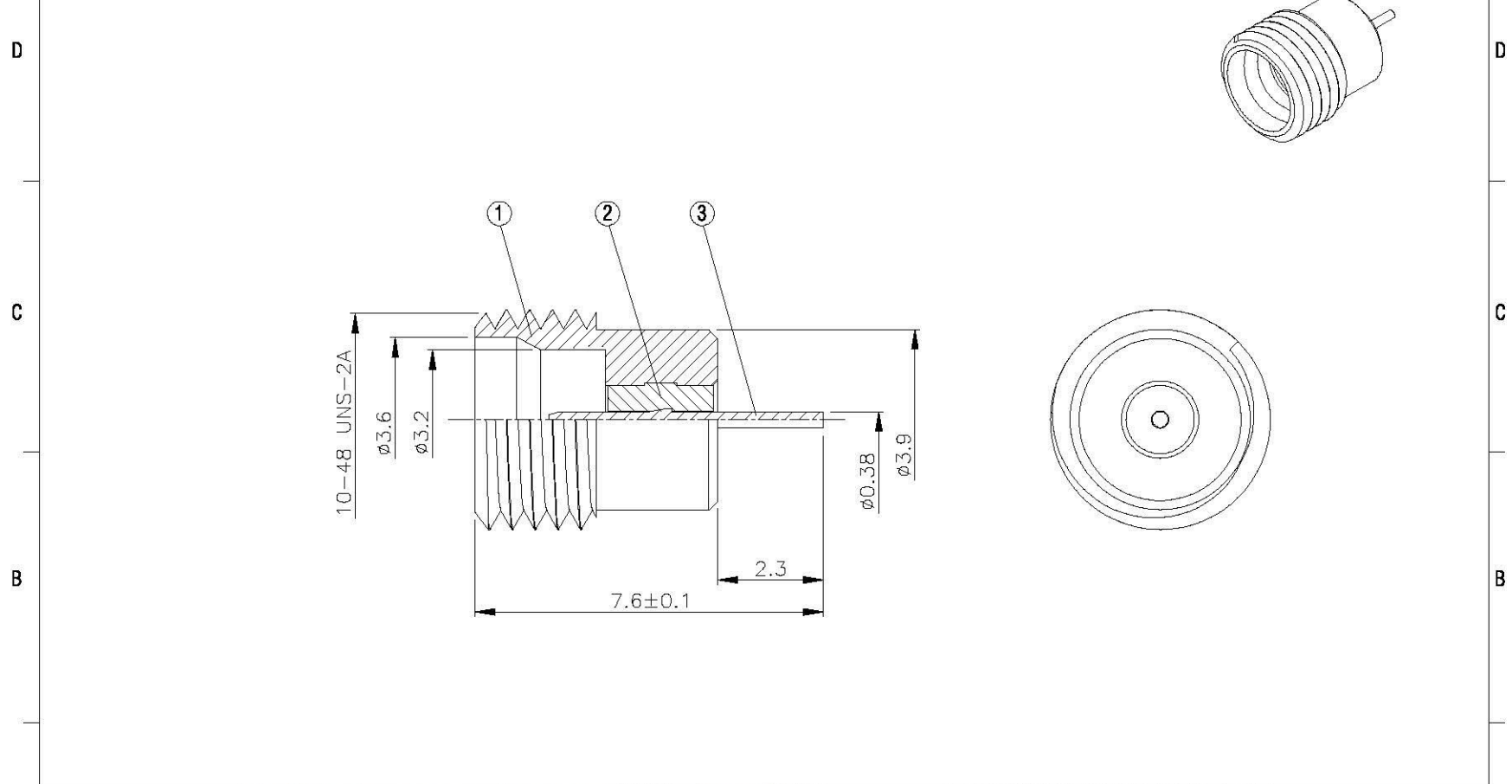
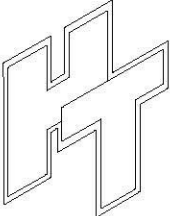



NO	DESCRIPTION	MATERIAL	Q'TY	FINISH	REMARK
1	BODY	SUS303	1	PASSIVATED	B-SMP-SUS
2	INSULATION	TEFLON	1	TEFLON	I-0181T
3	PIN	PH.BRONZE	1	GOLD	P-SMP0245-G



		DRAWN	蘇志欣	DATE	98.07.29	DIMENSIONS ARE IN MILLIMETERS		REVISION	
	<small>www.allconnectors.de Tel.: 0049 7141 906900 info@allconnectors.de</small>	CHECKED	蘇姿潔	DATE		UNLESS OTHERWISE SPECIFIED TOLERANCE		DESCRIPTION	ENGINEER
	<small>Industall-Importeure GmbH Königsplatz 20 40789 Düsseldorf - Germany</small>	Q.A.	林妙樺	DATE		0.5-5=±0.2	120-315=±1		
	TITLE SMP MALE THREAD-IN (SMOOTH BORE)	APPROVAL	徐燦霖	DATE		5-30=±0.4	315-1000=±1.6		
	PART NO. SMP-20-TGSUS-2	REVISION		DATE		30-120=±0.6	1000-2000=±2.4		
DRAWING NO. SMP-20-TGSUS-2					SCALE	4:1	SIZE	A	