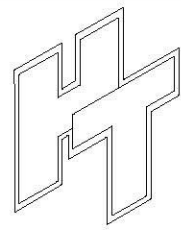
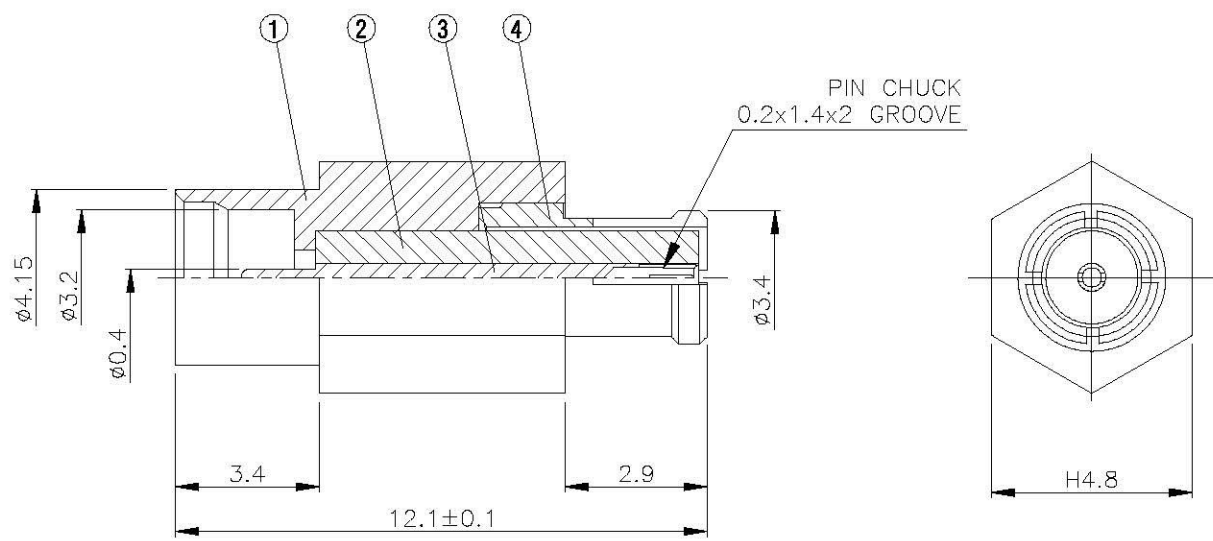
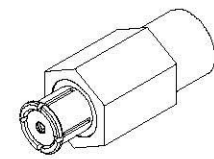


NO	DESCRIPTION	MATERIAL	Q'TY	FINISH	REMARK
1	BODY 1	SUS303	1	PASSIVATED	B-SMP1374-SUS
2	INSULATION 1	TEFLON	1	TEFLON	I-0561T
3	PIN	BE CU	1	GOLD	P-SMP0944-G
4	BODY 2	BE CU	1	GOLD	B-SMP1364-G



Allconnectors

www.allconnectors.de
 Tel.: 0344 711 7089 958
 70794 Filzschütz, Germany

Info@allconnectors.de
 Fax: 0344 711 7089 903
 Kettwieschen 22

TITLE **SMP MALE - SMP FEMALE
 ADAPTOR (SMOOTH BORE)**

PART NO. **SMP-19-TGSUS**

DRAWING NO. **SMP-19-TGSUS**

DRAWN **蘇志欣** DATE **98.03.01**

CHECKED **蘇姿潔** DATE

Q.A. **林妙樺** DATE

APPROVAL **徐燦霖** DATE

REVISION DATE

DIMENSIONS ARE IN MILLIMETERS

UNLESS OTHERWISE SPECIFIED
 TOLERANCE

0.5-5=±0.2 120-315=±1

5-30=±0.4 315-1000=±1.6

30-120=±0.6 1000-2000=±2.4

SCALE 4:1 SIZE A

REVISION

DESCRIPTION ENGINEER

4

3

2

1

D

D

C

C

B

B

A

A