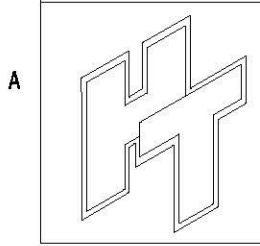
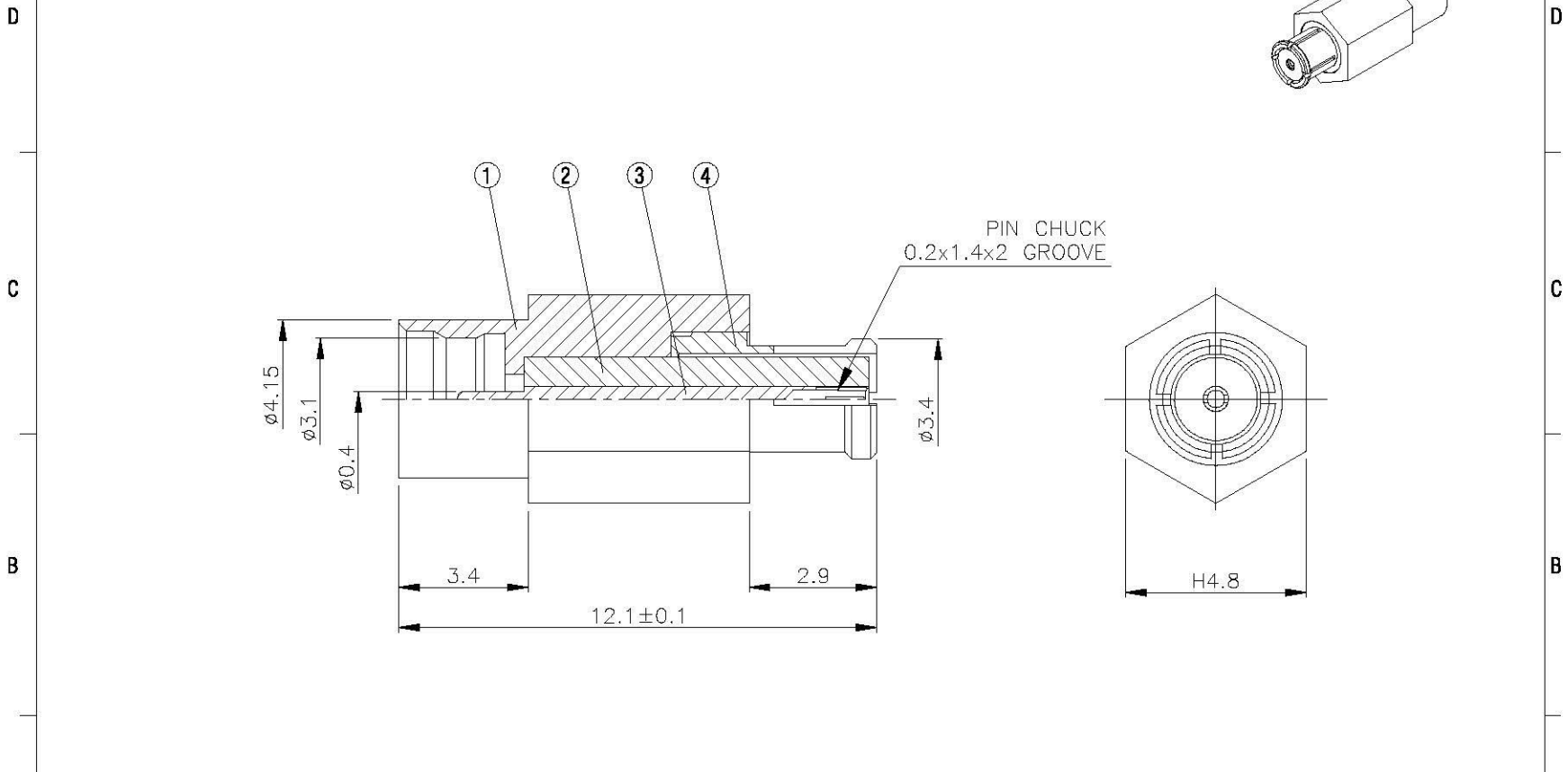
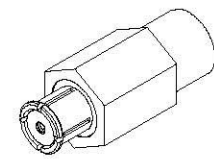


NO	DESCRIPTION	MATERIAL	Q'TY	FINISH	REMARK
1	BODY 1	SUS303	1	PASSIVATED	B-SMP1448-SUS
2	INSULATION 1	TEFLON	1	TEFLON	I-0561T
3	PIN	BE CU	1	GOLD	P-SMP0944-G
4	BODY 2	BE CU	1	GOLD	B-SMP1364-G



All Connectors
 www.allconnectors.com info@allconnectors.com
 No. 1, 20th Floor, Viewstar 20/24/Floor 24 - Geometry
 No. 1, 20th Floor, Viewstar 20/24/Floor 24 - Geometry
 No. 1, 20th Floor, Viewstar 20/24/Floor 24 - Geometry

TITLE SMP MALE - SMP FEMALE ADAPTOR (LIMITED DETENT)

PART NO. SMP-19-TGSUS-2

DRAWING NO. SMP-19-TGSUS-2

DRAWN 蘇志欣 **DATE** 98.07.27

CHECKED 蘇姿潔 **DATE**

Q.A. 林妙樺 **DATE**

APPROVAL 徐燦霖 **DATE**

REVISION **DATE**

DIMENSIONS ARE IN MILLIMETERS

UNLESS OTHERWISE SPECIFIED TOLERANCE

0.5-5=±0.2	120-315=±1
5-30=±0.4	315-1000=±1.6
30-120=±0.6	1000-2000=±2.4

SCALE 4:1 **SIZE** A

REVISION	
DESCRIPTION	ENGINEER

4 3 2 1