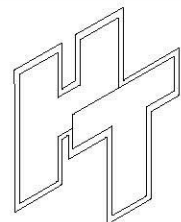
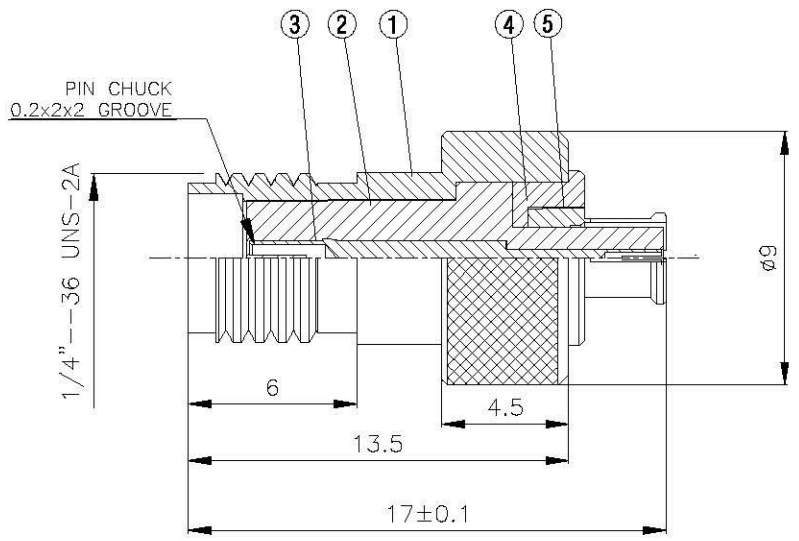
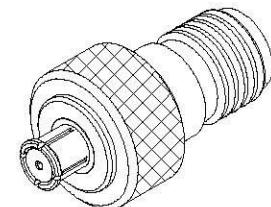


| NO | DESCRIPTION  | MATERIAL | Q'TY | FINISH | REMARK      |
|----|--------------|----------|------|--------|-------------|
| 1  | BODY 1       | BRASS    | 1    | GOLD   | B-SMA0632-G |
| 2  | INSULATION 1 | TEFLON   | 1    | TEFLON | I-0372T     |
| 3  | PIN          | BE CU    | 1    | GOLD   | P-SMP0542-G |
| 4  | BODY 2       | BRASS    | 1    | NICKEL | B-SMP1145-N |
| 5  | BODY 2       | BE CU    | 1    | GOLD   | B-SMP1364-G |



**All Connectors**  
 www.allconnectors.de  
 Tel.: 0049 711 7095603  
 70771 Filderstadt - Germany

info@allconnectors.de  
 Fax: 0049 711 7095604  
 Kette me 18, 25

TITLE **SMP FEMALE - SMA FEMALE ADAPTOR**

PART NO. **SMP-18-TGG-1**

DRAWING NO. **SMP 18 TGG-1**

|          |     |      |          |
|----------|-----|------|----------|
| DRAWN    | 蘇姿潔 | DATE | 08.04.11 |
| CHECKED  | 蘇志欣 | DATE |          |
| Q.A.     | 莊千慧 | DATE |          |
| APPROVAL | 徐燦霖 | DATE |          |
| REVISION |     | DATE |          |

|                                      |                |      |   |
|--------------------------------------|----------------|------|---|
| DIMENSIONS ARE IN MILLIMETERS        |                |      |   |
| UNLESS OTHERWISE SPECIFIED TOLERANCE |                |      |   |
| 0.5-5=±0.2                           | 120-315=±1     |      |   |
| 5-30=±0.4                            | 315-1000=±1.6  |      |   |
| 30-120=±0.6                          | 1000-2000=±2.4 |      |   |
| SCALE                                | 4:1            | SIZE | A |

| REVISION    |          |
|-------------|----------|
| DESCRIPTION | ENGINEER |
|             |          |
|             |          |