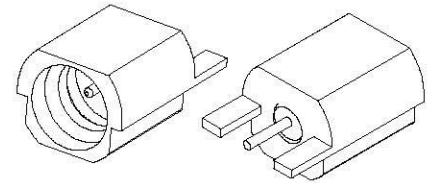
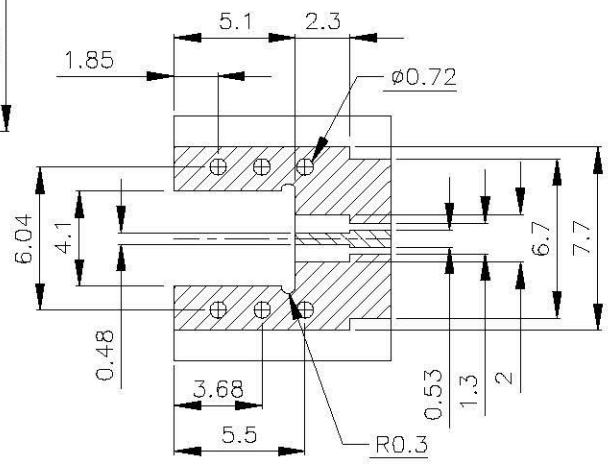
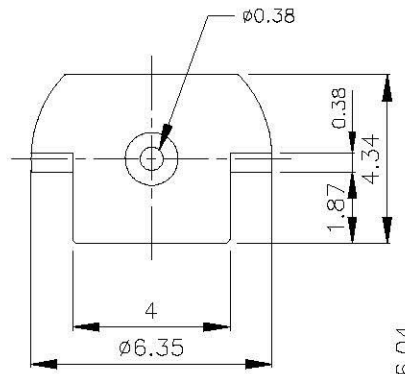
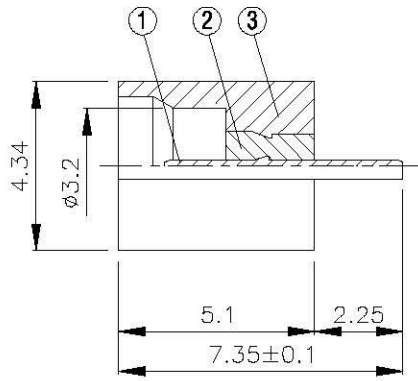


NO	DESCRIPTION	MATERIAL	Q'TY	FINISH	REMARK
1	PIN	BRASS	1	GOLD	P-SMP0245-G
2	INSULATION	TEFLON	1	TEFLON	I-0181T
3	BODY	BRASS	1	GOLD	B-SMP1446-G



D
C
B
A



Recommended mounting pattern

	Allconnectors <small>www.allconnectors.de info@allconnectors.de 41113 DUESSELDORF, GERMANY FAX: +49 211 300014 41113 DUESSELDORF, GERMANY KEMMERICH 25</small>	DRAWN	DATE 98.07.27	DIMENSIONS ARE IN MILLIMETERS UNLESS OTHERWISE SPECIFIED TOLERANCE		REVISION	
	TITLE SMP MALE EDGE LAUNCHED SMOOTH BORE	CHECKED	DATE			0.5-5=±0.2	120-315=±1
	PART NO. SMP-16-TGG-2	Q.A.	DATE	5-30=±0.4	315-1000=±1.6		
	DRAWING NO. SMP-16-TGG-2	APPROVAL	DATE	30-120±0.6	1000-2000=±2.4		
		REVISION	DATE	SCALE 4:1	SIZE A		

4 3 2 1