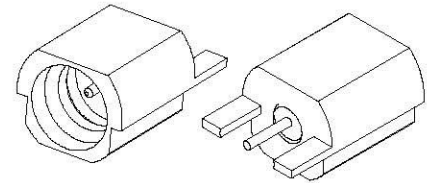
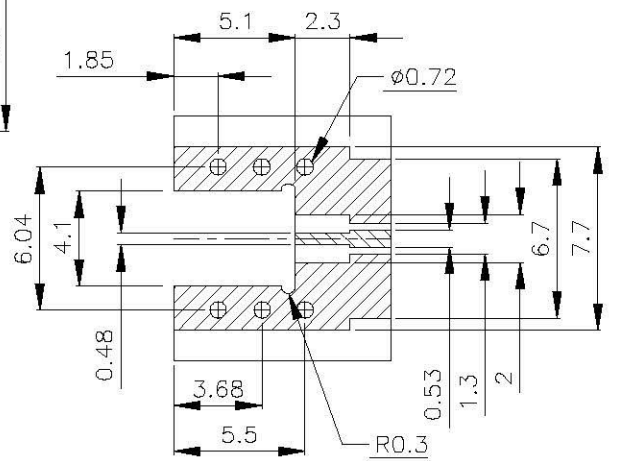
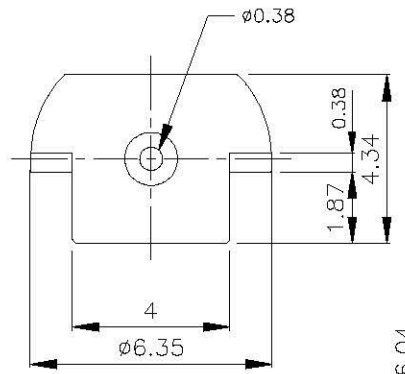
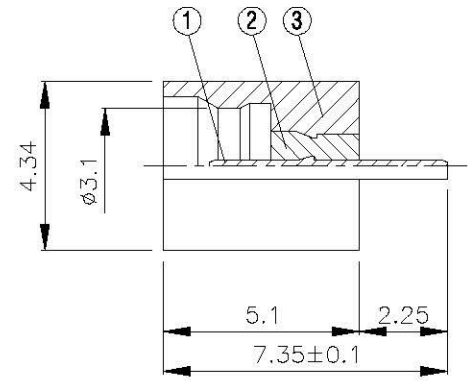


NO	DESCRIPTION	MATERIAL	Q'TY	FINISH	REMARK
1	PIN	BRASS	1	GOLD	P-SMP0245-G
2	INSULATION	TEFLON	1	TEFLON	I-0181T
3	BODY	BRASS	1	GOLD	B-SMP1445-G



D  
C  
B  
A

D  
C  
B  
A



Recommended mounting pattern

	<b>All connectors</b> <small>Professional connectors for your application</small> <small>20220111 All Connectors - Connector</small>	DRAWN	DATE <b>98.07.27</b>	DIMENSIONS ARE IN MILLIMETERS			REVISION	
		CHECKED	DATE	UNLESS OTHERWISE SPECIFIED TOLERANCE			DESCRIPTION	ENGINEER
	TITLE <b>SMP MALE EDGE LAUNCHED LIMITED DETENT</b>	Q.A.	DATE	0.5-5=±0.2	120-315=±1			
	PART NO. <b>SMP-16-TGG-1</b>	APPROVAL	DATE	5-30=±0.4	315-1000=±1.6			
	DRAWING NO. <b>SMP-16-TGG-1</b>	REVISION	DATE	30-120±0.6	1000-2000=±2.4	SCALE	4:1	SIZE

4 3 2 1