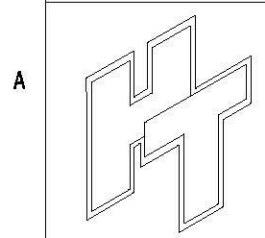
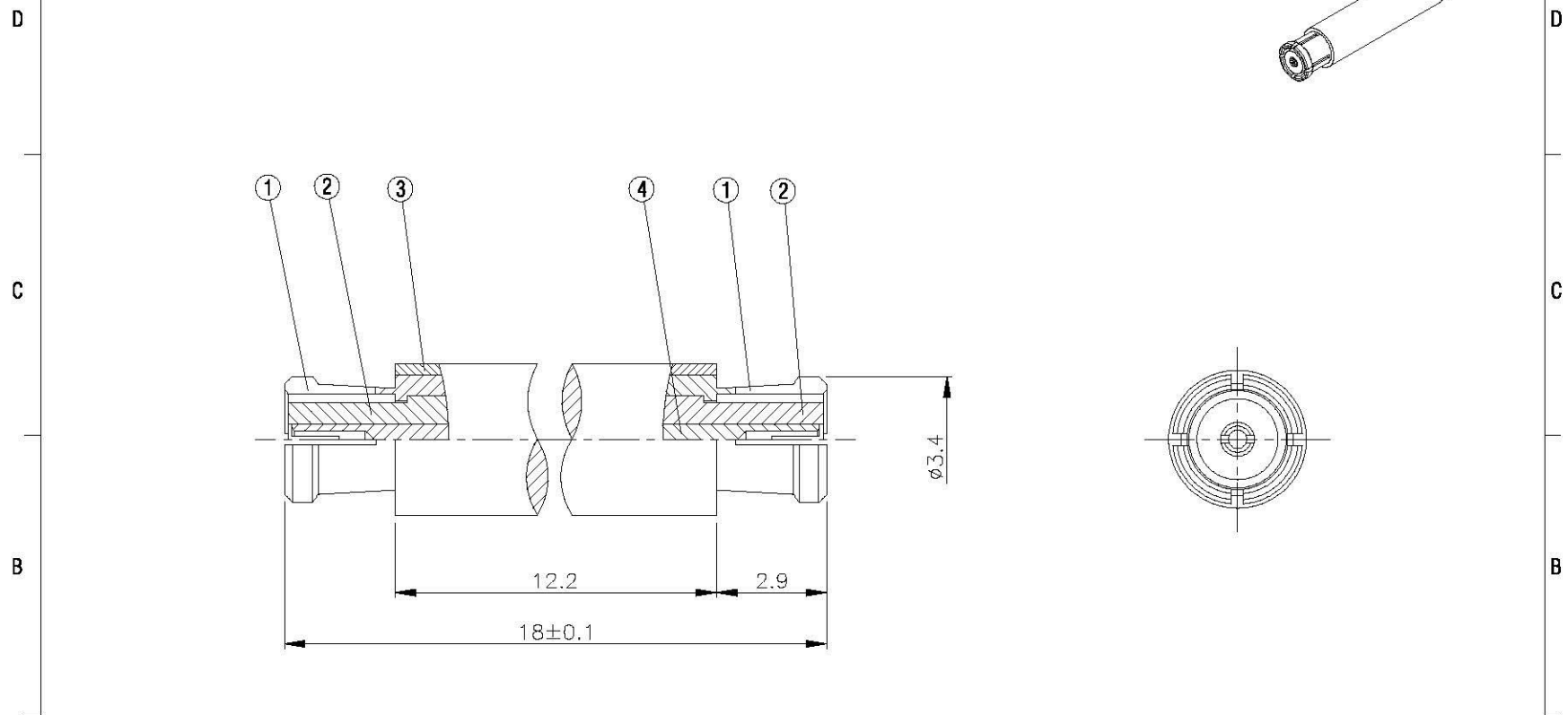


NO	DESCRIPTION	MATERIAL	Q'TY	FINISH	REMARK
1	BODY	BE CU	2	GOLD	B-SMP1364-G
2	INSULATION	TEFLON	2	TEFLON	I-0640T
3	BODY 2	BRASS	1	GOLD	B-SMP1263-G
4	PIN	BE CU	1	GOLD	P-SMP0937-G



Allconnectors
 www.allconnectors.de
 Tel.: 0049 711 7000903
 70751 Filberstadt - Germany

info@allconnectors.de
 Fax: 0049 711 7000904
 Kettenstr. 25

TITLE SMP FEMALE -FEMALE ADAPTOR
Nonimal Board-to-Board Distance

PART NO. SMP-05V9-TGG

DRAWING NO. SMP 05V9 TGG

DRAWN 蘇志欣 **DATE** 97.11.26

CHECKED 蘇姿潔 **DATE**

Q.A. 林妙樺 **DATE**

APPROVAL 徐燦霖 **DATE**

REVISION **DATE**

DIMENSIONS ARE IN MILLIMETERS

UNLESS OTHERWISE SPECIFIED TOLERANCE

0.5-5=±0.2	120-315=±1
5-30=±0.4	315-1000=±1.6
30-120±0.6	1000-2000=±2.4

SCALE 4:1 **SIZE** A

REVISION	
DESCRIPTION	ENGINEER

4 3 2 1